



WENZHOU LAIWO ELECTRICAL
TECHNOLOGY CO., LTD



WENZHOU LAIWO ELECTRICAL TECHNOLOGY CO., LTD

Unit 10, No. 115, Xinguang Avenue, Liushi Wenzhou, P.R. China 325604

Tel: 0086-577-61758077/62787222 Fax: 0086-577-62782396

 Sales@wosom.cn

PRODUCT SELECTION GUIDE

01 CONSUMER UNIT AND ENCLOSURE

Metal Consumer unit Enclosure	02
Metal Main Switch (100A) Incomer	02
Metal RCD Incomer	03
Metal Surge Protection Populated Unit	03
Metal Surge Protection Consumer Unit	04
Garage Unit IP40	04
Metal Consumer unit Enclosure (Flush Mounted)	05
Metal Main Switch (100A) Incomer (Flush Mounted)	05
Metal RCD Incomer (Flush Mounted)	06
Metal Surge Protection Populated Unit (Flush Mounted)	06
Metal Surge Protection Populated Unit (Flush Mounted)	07
Garage Unit IP40 (Flush Mounted)	07
Metal Consumer unit Enclosure	08
Metal Surge Protection Populated Unit	09
Metal Surge Protection Consumer Unit	10
IP65 Metal Garage Unit	11
IP65 Metal Surge Protection Consumer Unit	11
TP & N Distribution Board	12
TP&N Surge Protection Distribution Board	13
IP65 Enclosures / Shower Units / Garage Units	14
IP20 Metal Modular Enclosures	15
IP40 Metal Enclosure With Lid	15
Insulated IP65 Plastic Enclosure	16
IP20 Plastic Enclosure	16
IP40 Plastic Modular Enclosures	17
IP40 Plastic Modular Enclosures (Flush Mounted)	17
Junction Box	18

02 MCB RCD RCBO AND MAIN SWITCH

WCC Miniature Circuit Breakers	20
WCA Miniature Circuit Breakers	21
WCB Miniature Circuit Breakers	22
WCH Miniature Circuit Breakers	23
WSM-100 Main Switch	23
WSM-125 Main Switch	24
WSM-125D Main Switch	24
WSM-250 Main Switch	25
WRD Type A/AC Residual Current Circuit Breaker	25
WRT Type A/AC Residual Current Circuit Breaker (Time Delay)	26
WCEV Type B Residual Current Circuit Breaker	26
WRC Type A/AC Standard RCBO	27
WRS Type A/AC mini RCBO	27
WAMR Type A/AC Mini RCBO (Neutral Line Switched)	28
WRCM Type A/AC Electromagnetic RCBO	28
WAFD Type A/AC Arc Fault Detection Device With RCBO	29

03 SURGE PROTECTOR

WSA SA Range Surge Protective Device	31
WSA Range Surge Protective Device	32
WST1 Range Surge Protective Device	32
WSP Surge Protective Device	33

04 FUSE

Ws18 Fuse Holder	35
G2 Fuse Holder	37
G3 Fuse Holder	37
Cylindrical Fuse link	38
NT00 Fuse Link	40
NT00 Fuse Base	40
NT Fuse Puller	40

05 ROTARYISOLATOR

Weatherproof Rotary Isolator Switch	42
Fused Main Switch	43
Metal Switch Fuse	43

06 DC PRODUCTS

Solar Consumer Unit	45
Photovoltaic Fuse Holder	46
Photovoltaic Fuse Holder	46
Photovoltaic Fuse	47
DC Surge Protection Device	48
DC Miniature Circuit Breakers	49
DC Rotary Isolator	49

07 SWITCH AND SOCKET

20Amp Weatherproof Switch	51
13Amps Weatherproof Socket IP66	51
IP 65 Socket Box	52
1gang Switched RCD Socket	52
2gang Unswitched RCD Socket	53
2gang Switched RCD Socket	53
2gang Switched RCD Socket	54
RCD Spur Unit	54



01

CONSUMER UNIT AND ENCLOSURE



Metal Consumer unit Enclosure

Design Features

- Consumer unit enclosures supplied with blank, Neutral Cable, Busbar, Neutral & Earth Terminal bar, Din Rail.
- Fully enclosed metal construction body with drop down metal lid.
- Multiple circular cable entry knock-outs (25&32mm) on the top and bottom, 32mm on the sides, and back plus larger rear slots.
- Raised key holes for secure easy installation.
- Raised Din rail improves cable routing.
- Large and accessible wiring space, with extra space for RCBOs, MCBs.
- Flexible connection allows for various configurations of protected ways.



Part No	Description	Box Qty	W	H	D
WSMC04	4 Way Metal clad Consumer Unit Enclosure	6	136	270	110
WSMC06	6 Way Metal clad Consumer Unit Enclosure	6	172	270	110
WSMC08	8 Way Metal clad Consumer Unit Enclosure	6	208	270	110
WSMC10	10 Way Metal clad Consumer Unit Enclosure	4	244	270	110
WSMC12	12 Way Metal clad Consumer Unit Enclosure	4	280	270	110
WSMC14	14 Way Metal clad Consumer Unit Enclosure	4	316	270	110
WSMC16	16 Way Metal clad Consumer Unit Enclosure	4	352	270	110
WSMC18	18 Way Metal clad Consumer Unit Enclosure	4	388	270	110
WSMC22	22 Way Metal clad Consumer Unit Enclosure	4	460	270	110

Metal Main Switch (100A) Incomer

Design Features

- Consumer unit enclosures supplied with neutral cable, busbar, neutral & earth terminals, DIN rail.
- Fitted with DP 100A main Switch.



Part No	Description	Box Qty	W	H	D
WSMC04/100	4 Way Metal Clad Consumer Unit c/w 100A Main Switch (2 usable ways)	6	136	270	110
WSMC06/100	6 Way Metal Clad Consumer Unit c/w 100A Main Switch (4 usable ways)	6	172	270	110
WSMC08/100	8 Way Metal Clad Consumer Unit c/w 100A Main Switch (6 usable ways)	6	208	270	110
WSMC10/100	10 Way Metal Clad Consumer Unit c/w 100A Main Switch (8 usable ways)	4	244	270	110
WSMC12/100	12 Way Metal Clad Consumer Unit c/w 100A Main Switch (10 usable ways)	4	280	270	110
WSMC14/100	14 Way Metal Clad Consumer Unit c/w 100A Main Switch (12 usable ways)	4	316	270	110
WSMC16/100	16 Way Metal Clad Consumer Unit c/w 100A Main Switch (14 usable ways)	4	352	270	110
WSMC18/100	18 Way Metal Clad Consumer Unit c/w 100A Main Switch (16 usable ways)	4	388	270	110
WSMC22/100	22 Way Metal Clad Consumer Unit c/w 100A Main Switch (20 usable ways)	4	460	270	110

Metal RCD Incomer

Design Features

- Consumer unit enclosures supplied with neutral cable, busbar, neutral & earth terminals, DIN rail.
- Fitted with type A DP RCD.

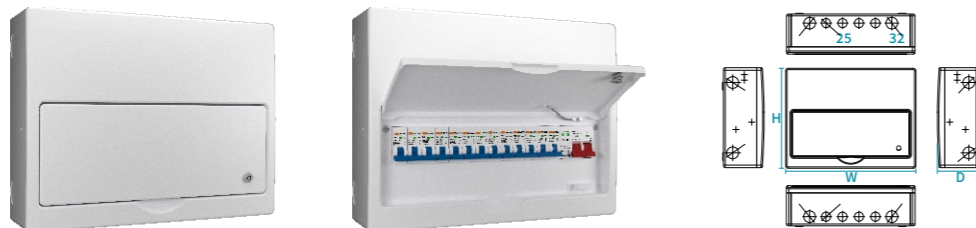


Part No	Description	Box Qty	W	H	D
WSMCO4-RC63	4 Way Metal Clad Consumer Unit c/w 63A 30mA RCD(2 usable ways)	6	136	270	110
WSMCO4-RC80	4 Way Metal Clad Consumer Unit c/w 80A 30mA RCD(2 usable ways)	6	136	270	110
WSMCO6-RC63	6 Way Metal Clad Consumer Unit c/w 63A 30mA RCD (4 usable ways)	6	172	270	110
WSMCO6-RC80	6 Way Metal Clad Consumer Unit c/w 80A 30mA RCD (4 usable ways)	6	172	270	110
WSMCO8-RC63	8 Way Metal Clad Consumer Unit c/w 63A 30mA RCD (6 usable ways)	6	208	270	110
WSMCO8-RC80	8 Way Metal Clad Consumer Unit c/w 80A 30mA RCD (6 usable ways)	6	208	270	110
WSMCO10-RC63	10 Way Metal Clad Consumer Unit c/w 63A 30mA RCD(8 usable ways)	4	244	270	110
WSMCO10-RC80	10 Way Metal Clad Consumer Unit c/w 80A 30mA RCD(8 usable ways)	4	244	270	110
WSMCO12-RC63	12 Way Metal Clad Consumer Unit c/w 63A 30mA RCD(10 usable ways)	4	280	270	110
WSMCO12-RC80	12 Way Metal Clad Consumer Unit c/w 80A 30mA RCD(10 usable ways)	4	280	270	110

Metal Surge Protection Populated Unit

Design Features

- Consumer unit enclosures supplied with neutral cable, busbar, neutral & earth terminals, DIN rail.
- Fitted with DP 100A main Switch.
- Fitted with type A RCBOs.
- Fitted with 20/40kA DP Surge Protective Device.



Part No	Description	Box Qty	W	H	D
WSMC04 SR/100	4Way Split Load c/w 100A Main Switch/ and 20/40kA DP Surge Protective Device+1RSAs (1x20A)	6	136	270	110
WSMC06 SR/100	6Way Split Load c/w 100A Main Switch/ and 20/40kA DP Surge Protective Device+3RSAs (1x6A,1x20A,1x32A)	6	172	270	110
WSMC08 SR/100	8Way Split Load c/w 100A Main Switch/ and 20/40kA DP Surge Protective Device+5RSAs (1x6A,1x16A, 1X20A,1X32A,1x40A)	6	208	270	110
WSMC10 SR/100	10Way Split Load c/w 100A Main Switch/ and 20/40kA DP Surge Protective Device+7RSAs (2x6A,1x16A,1X20A, 2x32A,1x40A)	4	244	270	110
WSMC12 SR/100	12Way Split Load c/w 100A Main Switch/ and 20/40kA DP Surge Protective Device+9RSAs (3x6A,1x16A,1X20A,3x32A,1x40A)	4	280	270	110
WSMC14 SR/100	14Way Split Load c/w 100A Main Switch/ and 20/40kA DP Surge Protective Device+11RSAs (3x6A,2x16A,1X20A,4x32A,1x40A)	4	316	270	110
WSMC16 SR/100	16Way Split Load c/w 100A Main Switch/ and 20/40kA DP Surge Protective Device+13RSAs (4x6A,1x10A,2x16A,1x20A,4x32A,1x40A)	4	352	270	110
WSMC18 SR/100	18Way Split Load c/w 100A Main Switch/ and 20/40kA DP Surge Protective Device+15RSAs (4x6A,2x10A, 3x16A,1x20A,4x32A,1x40A)	4	388	270	110
WSMC22 SR/100	22Way Split Load c/w 100A Main Switch/ and 20/40kA DP Surge Protective Device+19RSAs (5x6A,2x10A,3x16A, 3x20A,5x32A,1x40A)	4	460	270	110

Metal Surge Protection Consumer Unit

Design Features

- Consumer unit enclosures supplied with neutral cable, busbar, neutral & earth terminals, DIN rail.
- Fitted with 20/40kA DP Surge Protective Device.
- Fitted with DP 100A main Switch.



Part No	Description	Box Qty	W	H	D
WSMC4M-SP	4 Way Metal Consumer Unit c/w 100A Main Switch+20/40kA Surge Protective Device (1 usable way)	6	136	270	110
WSMC6M-SP	6 Way Metal Consumer Unit c/w 100A Main Switch+20/40kA Surge Protective Device (3 usable way)	6	172	270	110
WSMC8M-SP	8 Way Metal Consumer Unit c/w 100A Main Switch+20/40kA Surge Protective Device (5 usable way)	6	208	270	110
WSMC10M-SP	10 Way Metal Consumer Unit c/w 100A Main Switch+20/40kA Surge Protective Device (7 usable way)	4	244	270	110
WSMC12M-SP	12 Way Metal Consumer Unit c/w 100A Main Switch+20/40kA Surge Protective Device (9 usable way)	4	280	270	110
WSMC14M-SP	14 Way Metal Consumer Unit c/w 100A Main Switch+20/40kA Surge Protective Device (11 usable way)	4	316	270	110
WSMC16M-SP	16 Way Metal Consumer Unit c/w 100A Main Switch+20/40kA Surge Protective Device (13 usable way)	4	352	270	110
WSMC18M-SP	18 Way Metal Consumer Unit c/w 100A Main Switch+20/40kA Surge Protective Device (15 usable way)	4	388	270	110
WSMC22M-SP	22 Way Metal Consumer Unit c/w 100A Main Switch+20/40kA Surge Protective Device (19 usable way)	4	460	270	110

Garage Unit IP40

Design Features

- Consumer unit enclosures supplied with neutral cable, busbar, neutral & earth terminals, DIN rail.
- Fitted with 40A/63A 30mA type A RCD,100A DP main switch.
- Fitted with MCBs.



Part No	Description	Box Qty	W	H	D
WSSU6340	4 Way c/w 63A 30mA RCD+B40A MCB	6	136	270	110
WSGU40616	4 Way c/w 40A 30mA RCD+B6A/B16A MCB	6	136	270	110
WSGU63620	4 Way c/w 63A 30mA RCD+B6A/B20A MCB	6	136	270	110
WSGU63632	4 Way c/w 63A 30mA RCD+B6A/B32A MCB	6	136	270	110
WSGUMS32	4 Way c/w 100A Main Switch+B32A MCB	6	136	270	110
WSGUMS616	4 Way c/w 100A Main Switch+B6A/B16A MCB	6	136	270	110

Metal Consumer unit Enclosure Flush Mounted

Design Features

- Consumer unit enclosures supplied with blank, Neutral Cable, Busbar, Neutral & Earth Terminal bar, Din Rail.
- Fully enclosed metal construction body with drop down metal lid.
- Multiple circular cable entry knock-outs (25&32mm) on the top and bottom, 32mm on the sides, and back plus larger rear slots.
- Raised key holes for secure easy installation.
- Raised Din rail improves cable routing.
- Large and accessible wiring space, with extra space for RCBOs, MCBs.
- Flexible connection allows for various configurations of protected ways.



Part No	Description	Box Qty	W	H	D
WFMC04	4Way Flush Metal clad Consumer Unit Enclosure	6	172	270	107
WFMC06	6 Way Flush Metal clad Consumer Unit Enclosure	6	208	270	107
WFMC08	8 Way Flush Metal clad Consumer Unit Enclosure	4	244	270	107
WFMC10	10 Way Flush Metal clad Consumer Unit Enclosure	4	280	270	107
WFMC12	12 Way Flush Metal clad Consumer Unit Enclosure	4	316	270	107
WFMC14	14 Way Flush Metal clad Consumer Unit Enclosure	4	352	270	107
WFMC16	16 Way Flush Metal clad Consumer Unit Enclosure	4	388	270	107
WFMC20	20Way Flush Metal clad Consumer Unit Enclosure	4	460	270	107

Metal Main Switch (100A) Incomer Flush Mounted

Design Features

- Consumer unit enclosures supplied with neutral cable, busbar, neutral & earth terminals, DIN rail.
- Fitted with DP 100A main Switch.



Part No	Description	Box Qty	W	H	D
WFMC04/100	4 Way Flush Metal Clad Consumer Unit c/w 100A Main Switch (2 usable ways)	6	172	270	107
WFMC06/100	6 Way Flush Metal Clad Consumer Unit c/w 100A Main Switch (4 usable ways)	6	208	270	107
WFMC08/100	8 Way Flush Metal Clad Consumer Unit c/w 100A Main Switch (6 usable ways)	4	244	270	107
WFMC10/100	10 Way Flush Metal Clad Consumer Unit c/w 100A Main Switch (8 usable ways)	4	280	270	107
WFMC12/100	12 Way Flush Metal Clad Consumer Unit c/w 100A Main Switch (10 usable ways)	4	316	270	107
WFMC14/100	14 Way Flush Metal Clad Consumer Unit c/w 100A Main Switch (12 usable ways)	4	352	270	107
WFMC16/100	16 Way Flush Metal Clad Consumer Unit c/w 100A Main Switch (14 usable ways)	4	388	270	107
WFMC20/100	20 Way Flush Metal Clad Consumer Unit c/w 100A Main Switch (18 usable ways)	4	460	270	107

Metal RCD Incomer Flush Mounted

Design Features

- Consumer unit enclosures supplied with neutral cable, busbar, neutral & earth terminals, DIN rail.
- Fitted with type A DP RCD.

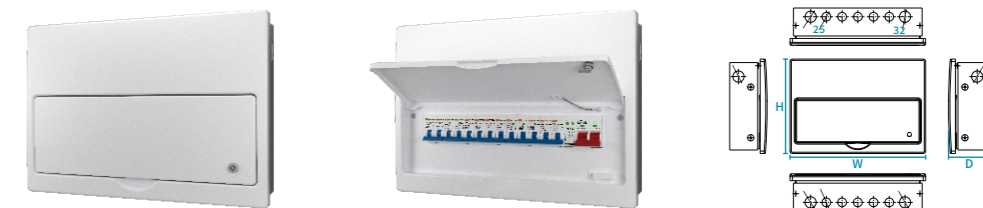


Part No	Description	Box Qty	W	H	D
WFMC04-RC63	4 Way Flush Metal Clad Consumer Unit c/w 63A 30mA RCD (2 usable ways)	6	172	270	107
WFMC04-RC80	4 Way Flush Metal Clad Consumer Unit c/w 80A 30mA RCD (2 usable ways)	6	172	270	107
WFMC06-RC63	6 Way Flush Metal Clad Consumer Unit c/w 63A 30mA RCD (4 usable ways)	6	208	270	107
WFMC06-RC80	6 Way Flush Metal Clad Consumer Unit c/w 80A 30mA RCD (4 usable ways)	6	208	270	107
WFMC08-RC63	8 Way Flush Metal Clad Consumer Unit c/w 63A 30mA RCD (6 usable ways)	4	244	270	107
WFMC08-RC80	8 Way Flush Metal Clad Consumer Unit c/w 80A 30mA RCD (6 usable ways)	4	244	270	107
WFMC10-RC63	10 Way Flush Metal Clad Consumer Unit c/w 63A 30mA RCD (8 usable ways)	4	280	270	107
WFMC10-RC80	10 Way Flush Metal Clad Consumer Unit c/w 80A 30mA RCD (8 usable ways)	4	280	270	107

Metal Surge Protection Populated Unit Flush Mounted

Design Features

- Consumer unit enclosures supplied with neutral cable, busbar, neutral & earth terminals, DIN rail.
- Fitted with DP 100A main Switch.
- Fitted with type A RCBOs.
- Fitted with 20/40kA DP Surge Protective Device.



Part No	Description	Box Qty	W	H	D
WFMC04 SR/100	4Way Flush Split Load c/w 100A Main Switch/and 20/40kA DP Surge Protective Device+1RSAs (1x20A)	6	172	270	107
WFMC06 SR/100	6Way Flush Split Load c/w 100A Main Switch/and 20/40kA DP Surge Protective Device+3RSAs (1x6A,1x20A,1x32A)	6	208	270	107
WFMC08 SR/100	8Way Flush Split Load c/w 100A Main Switch/and 20/40kA DP Surge Protective Device+5RSAs (1x6A,1x16A, 1x20A,1x32A,1x40A)	4	244	270	107
WFMC10 SR/100	10Way Flush Split Load c/w 100A Main Switch/and 20/40kA DP Surge Protective Device+7RSAs (2x6A,1x16A,1x20A, 2x32A,1x40A)	4	280	270	107
WFMC12 SR/100	12Way Flush Split Load c/w 100A Main Switch/and 20/40kA DP Surge Protective Device+9RSAs (3x6A,1x16A,1x20A, 3x32A,1x40A)	4	316	270	107
WFMC14 SR/100	14Way Flush Split Load c/w 100A Main Switch/and 20/40kA DP Surge Protective Device+11RSAs (3x6A,2x16A,1x20A, 4x32A,1x40A)	4	352	270	107
WFMC16 SR/100	16Way Flush Split Load c/w 100A Main Switch/and 20/40kA DP Surge Protective Device+13RSAs (4x6A,1x10A,2x16A, 1x20A,4x32A,1x40A)	4	388	270	107
WFMC20 SR/100	20Way Flush Split Load c/w 100A Main Switch/and 20/40kA DP Surge Protective Device+17RSAs (4x6A,2x10A, 3x16A,3x20A, 4x32A,1x40A)	4	460	270	107

Metal Surge Protection Populated Unit Flush Mounted

Design Features

- Consumer unit enclosures supplied with neutral cable, busbar, neutral & earth terminals, DIN rail.
- Fitted with DP 100A main Switch.
- Fitted with 20/40kA DP Surge Protective Device.



Part No	Description	Box Qty	W	H	D
WFMC4M-SP	4Way Flush Metal Consumer Unit c/w 100A Main Switch+20/40kA Surge Protective Device (1 usable way)	6	172	270	107
WFMC6M-SP	6 Way Flush Metal Consumer Unit c/w 100A Main Switch+20/40kA Surge Protective Device (3 usable way)	6	208	270	107
WFMC8M-SP	8 Way Flush Metal Consumer Unit c/w 100A Main Switch+20/40kA Surge Protective Device (5 usable way)	4	244	270	107
WFMC10M-SP	10 Way Flush Metal Consumer Unit c/w 100A Main Switch+20/40kA Surge Protective Device (7 usable way)	4	280	270	107
WFMC12M-SP	12 Way Flush Metal Consumer Unit c/w 100A Main Switch+20/40kA Surge Protective Device (9 usable way)	4	316	270	107
WFMC14M-SP	14 Way Flush Metal Consumer Unit c/w 100A Main Switch+20/40kA Surge Protective Device (11 usable way)	4	352	270	107
WFMC16M-SP	16 Way Flush Metal Consumer Unit c/w 100A Main Switch+20/40kA Surge Protective Device (13 usable way)	4	388	270	107
WFMC20M-SP	20 Way Flush Metal Consumer Unit c/w 100A Main Switch+20/40kA Surge Protective Device (17 usable way)	4	460	270	107

Garage Unit IP40 Flush Mounted

Design Features

- Consumer unit enclosures supplied with neutral cable, busbar, neutral & earth terminals, DIN rail.
- Fitted with 40A/63A 30mA type A RCD, 100A DP main switch.
- Fitted with MCBs.



Part No	Description	Box Qty	W	H	D
WFMSU6340	4 Way Flush c/w 63A 30mA RCD+B40A MCB	6	172	270	107
WFMGU40616	4 Way Flush c/w 40A 30mA RCD+B6A/B16A MCB	6	172	270	107
WFMGU63620	4 Way Flush c/w 63A 30mA RCD+B6A/B20A MCB	6	172	270	107
WFMGU63632	4 Way Flush c/w 63A 30mA RCD+B6A/B32A MCB	6	172	270	107
WFMGUMS32	4 Way Flush c/w 100A Main Switch+B32A MCB	6	172	270	107
WFMGUMS616	4 Way Flush c/w 100A Main Switch+B6A/B16A MCB	6	172	270	107

Metal Consumer unit Enclosure

Design Features

- Consumer unit enclosures supplied with blank, Neutral Cable, Busbar, Neutral & Earth Terminal bar, Din Rail.
- Fully enclosed metal construction body with drop down metal lid.
- Multiple circular cable entry knock-outs (25&32mm) on the top and bottom, 32mm on the sides, and back plus larger rear slots.
- Raised key holes for secure easy installation.
- Raised Din rail improves cable routing.
- Modern style finished in white polyester powder coating to RAL9010.
- Large and accessible wiring space, with extra space for RCBOs, MCBs.
- Flexible connection allows for various configurations of protected ways.



Part No	Description	Box Qty	W	H	D
WHMC04	4 Way Metal clad Consumer Unit Enclosure	8	125	252	110
WHMC06	6 Way Metal clad Consumer Unit Enclosure	8	161	252	110
WHMC08	8 Way Metal clad Consumer Unit Enclosure	6	197	252	110
WHMC10	10 Way Metal clad Consumer Unit Enclosure	6	233	252	110
WHMC12	12 Way Metal clad Consumer Unit Enclosure	4	269	252	110
WHMC14	14 Way Metal clad Consumer Unit Enclosure	4	305	252	110
WHMC16	16 Way Metal clad Consumer Unit Enclosure	4	341	252	110
WHMC18	18 Way Metal clad Consumer Unit Enclosure	4	377	252	110
WHMC22	22 Way Metal clad Consumer Unit Enclosure	4	449	252	110
WHMC24	24 Way Metal clad Consumer Unit Enclosure	1	279	465	110
WHMC28	28 Way Metal Clad Consumer Unit Enclosure	1	305	465	110
WHMC36	36 Way Metal Clad Consumer Unit Enclosure	1	377	465	110
WHMC48	48 Way Metal Clad Consumer Unit Enclosure	1	341	740	110

Metal Surge Protection Populated Unit

Design Features

- Consumer unit enclosures supplied with neutral cable, busbar, neutral & earth terminals, DIN rail.
- Fitted with DP 100A main Switch.
- Fitted with type A RCBOs.
- Fitted with 20 /40 kA DP Surge Protective Device.



Part No	Description	Box Qty	W	H	D
WHMC06 SR/100	6Way Split Load c/w 100A Main Switch/ and 20/40kA DP Surge Protective Device+2RSAs(1x6A ,1x32A)	8	161	252	110
WHMC08 SR/100	8Way Split Load c/w 100A Main Switch/ and 20/40kA DP Surge Protective Device+4RSAs(1x6A, 2x32A, 1x40A)	6	197	252	110
WHMC10 SR/100	10Way Split Load c/w 100A Main Switch/ and 20/40kA DP Surge Protective Device+6RSAs(2x6A, 1x16A, 2x32A, 1x40A)	6	233	252	110
WHMC12 SR/100	12Way Split Load c/w 100A Main Switch/ and 20/40kA DP Surge Protective Device+8RSAs(3x6A, 1x16A, 3x32A, 1x40A)	4	269	252	110
WHMC14 SR/100	14Way Split Load c/w 100A Main Switch/ and 20/40kA DP Surge Protective Device+10RSAs(3x6A, 2x16A, 4x32A, 1x40A)	4	305	252	110
WHMC16 SR/100	16Way Split Load c/w 100A Main Switch/ and 20/40kA DP Surge Protective Device+12RSAs(4x6A, 1x10A, 2x16A, 4x32A, 1x40A)	4	341	252	110
WHMC18 SR/100	18Way Split Load c/w 100A Main Switch/ and 20/40kA DP Surge Protective Device+14RSAs(4x6A, 2x10A, 3x16A, 4x32A, 1x40A)	4	377	252	110
WHMC22 SR/100	22Way Split Load c/w 100A Main Switch/ and 20/40kA DP Surge Protective Device+16RSAs(5x6A, 2x10A, 3x16A, 5x32A, 1x40A)	4	449	252	110
WHMC24 SR/125	24Way Split Load c/w 100A Main Switch/ and 20/40kA DP Surge Protective Device+17RSAs(6x6A, 1x10A, 2x16A, 6x32A, 2x40A)	1	279	465	110
WHMC28 SR/125	28Way Split Load c/w 100A Main Switch/ and 20/40kA DP Surge Protective Device+19RSAs(6x6A, 2x10A, 2x16A, 1x20A, 6x32A, 2x40A)	1	305	465	110
WHMC36 SR/125	36Way Split Load c/w 100A Main Switch/ and 20/40kA DP Surge Protective Device+25RSAs(7x6A, 3x10A, 4x16A, 2x20A, 7x32A, 2x40A)	1	377	465	110
WHMC48 SR/125	48Way Split Load c/w 100A Main Switch/ and 20/40kA DP Surge Protective Device+26RSAs(7x6A, 3x10A, 5x16A, 2x20A, 7x32A, 2x40A)	1	341	740	110

Metal Surge Protection Consumer Unit

Design Features

- Fully enclosed metal construction body with drop down metal cover and metal lid .
- Multiple circular cable entry knock-outs (25&32mm) on the top and bottom, 32mm on the sides, and back plus larger rear slots.
- Raised key holes for secure easy installation.
- Modern style finished in white polyester powder coating to RAL9010.
- Fitted with Earth/Neutral terminal bar and busbar.
- Raised din rail improves cable routing.
- Large and accessible wiring space.
- Complies with BS EN 61439-3, BS EN60947-3 & .
- BS EN 61643-11.



Part No	Description	Box Qty	W	H	D
WMCU4M-SP	4 Way Metal Consumer Unit c/w 100A Main Switch+20/40kA DP Surge Arrester	8	125	252	110
WMCU4M-TP	8 Way Metal Consumer Unit c/w 4 Pole 100A Main Switch 4 Pole 20/40kA SA440 TP Surge Device	6	197	252	110
WMCU6M-SP	6 Way Metal Consumer Unit c/w 100A Main Switch+20/40kA DP Surge Arrester (2 usable way)	8	161	252	110
WMCU8M-SP	8 Way Metal Consumer Unit c/w 100A Main Switch+20/40kA DP Surge Arrester (4 usable way)	6	197	252	110
WMCU10M-SP	10 Way Metal Consumer Unit c/w 100A Main Switch+20/40kA DP Surge Arrester (6 usable way)	6	233	252	110
WMCU12M-SP	12 Way Metal Consumer Unit c/w 100A Main Switch+20/40kA DP Surge Arrester (8 usable way)	4	279	252	110
WMCU14M-SP	14 Way Metal Consumer Unit c/w 100A Main Switch+20/40kA DP Surge Arrester (10 usable way)	4	305	252	110
WMCU16M-SP	16 Way Metal Consumer Unit c/w 100A Main Switch+20/40kA DP Surge Arrester (12 usable way)	4	341	252	110
WMCU18M-SP	18 Way Metal Consumer Unit c/w 100A Main Switch+20/40kA DP Surge Arrester (14 usable way)	4	377	252	110
WMCU22M-SP	22 Way Metal Consumer Unit c/w 100A Main Switch+20/40kA DP Surge Arrester (18 usable way)	4	449	252	110
WMCU24M-SP	24Way Metal Consumer Unit c/w 125A Main Switch+20/40kA DP Surge Arrester (20 usable way)	1	279	465	110
WMCU28M-SP	28Way Metal Consumer Unit c/w 125A Main Switch+20/40kA DP Surge Arrester (24 usable way)	1	305	465	110
WMCU36M-SP	36Way Metal Consumer Unit c/w 125A Main Switch+20/40kA DP Surge Arrester (32 usable way)	1	377	465	110
WMCU48M-SP	48Way Metal Consumer Unit c/w 125A Main Switch+20/40kA DP Surge Arrester (44 usable way)	1	341	740	110

IP65 Metal Garage Unit

Design Features

- Weatherproof to IP65.
- 20mm Diameter standard knock-out on the top and bottom.
- Large and accessible wiring space, extra space to accept single pole RCBOs.
- Robust die cast construction.
- Complies with BS EN 61439-3.
- 4 Module enclosure supplied with blank, Neutral Cable, Busbar, Neutral Earth Terminal bar, Din Rail.
- Fitted with type A RCD.



Part No	Description	Box Qty	W	H	D
WAGU0465	IP65 4 Way Enclosure	8	140	220	101
WAGU63616	IP65 4 Way C/W 63A 30mA RCD+B6A/B16A MCB	8	140	220	101
WAGU63620	IP65 4 Way C/W 63A 30mA RCD+B6A/B20A MCB	8	140	220	101
WAGU63632	IP65 4 Way C/W 63A 30mA RCD+B6A/B32A MCB	8	140	220	101

IP65 Metal Surge Protection Consumer Unit

Design Features

- Fully enclosed metal construction body with drop down metal cover and metal lid.
- 20mm diameter Circular cable entry knock-outs on the top and bottom.
- Modern style finished in white polyester powder coating to RAL9010.
- Raised Din rail improves cable routing.
- Weatherproof to IP65.
- Large and accessible wiring space.
- Robust die cast construction.
- Complies with BS EN 61439-3, BS EN60947-3 & BS EN 61643-11 .



Part No	Description	Box Qty	W	H	D
WAGU4-SP	IP65 4 Way Metal Enclosure c/w 100A Main Switch and 20/40kA DP Surge Protective Device	8	140	220	101

TP & N Distribution Board

Design Features

- Modern style finished in epoxy powder paint to RAL7035.
- Rated Voltage AC380V/415V 50/60Hz.
- Maximum loading current to 125A / 250A.
- Section Neutral & Earth terminal are fitted both sides.
- Quicker installation with earth & neutral terminals adjacent to the MCBs / RCBOs.
- Fully enclosed busbar system.

- Complete shrouding for main incomer and link.
- Removable gland plate for ease of cable entry.
- Keyhole fixing for ease of wall mounting.
- All Version supplied with Main Switch.
- Complies with BS EN 61439-3.



Part No	Description	Box Qty	W	W1	H	H1	D
WTPN04-125	4 Ways with 4 Pole 125A Main Switch Incomer	1	465	321	506	409	105
WTPN06-125	6 Ways with 4 Pole 125A Main Switch Incomer	1	465	321	560	463	105
WTPN08-125	8 Ways with 4 Pole 125A Main Switch Incomer	1	465	321	614	517	105
WTPN10-125	10 Ways with 4 Pole 125A Main Switch Incomer	1	465	321	668	571	105
WTPN12-125	12 Ways with 4 Pole 125A Main Switch Incomer	1	465	321	722	625	105
WTPN14-125	14 Ways with 4 Pole 125A Main Switch Incomer	1	465	321	776	679	105
WTPN16-125	16 Ways with 4 Pole 125A Main Switch Incomer	1	465	321	830	733	105
WTPN18-125	18 Ways with 4 Pole 125A Main Switch Incomer	1	465	321	884	787	105
WTPN24-125	24 Ways with 4 Pole 125A Main Switch Incomer	1	465	321	1046	949	105

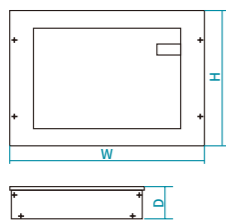
Part No	Description	Box Qty	W	W1	H	H1	D
WTPN08-250	8 Ways with 3 Pole 250A Main Switch Incomer	1	456	321	614	517	120
WTPN12-250	12 Ways with 3 Pole 250A Main Switch Incomer	1	456	321	722	625	120
WTPN16-250	16 Ways with 3 Pole 250A Main Switch Incomer	1	456	321	830	733	120
WTPN18-250	18 Ways with 3 Pole 250A Main Switch Incomer	1	456	321	884	787	120
WTPN24-250	24 Ways with 3 Pole 250A Main Switch Incomer	1	456	321	1046	949	120

TP&N Surge Protection Distribution Board

Design Features



Part No	Description	Box Qty	W	W1	H	H1	D
WTPN04-125S	4 Ways with 4 Pole 125A Main Switch and 20/40 kA DP Surge Protective Device	1	465	321	506	409	105
WTPN06-125S	6 Ways with 4 Pole 125A Main Switch and 20/40 kA DP Surge Protective Device	1	465	321	560	463	105
WTPN08-125S	8 Ways with 4 Pole 125A Main Switch and 20/40 kA DP Surge Protective Device	1	465	321	614	517	105
WTPN10-125S	10 Ways with 4 Pole 125A Main Switch and 20/40 kA DP Surge Protective Device	1	465	321	668	571	105
WTPN12-125S	12 Ways with 4 Pole 125A Main Switch and 20/40 kA DP Surge Protective Device	1	465	321	722	625	105
WTPN14-125S	14 Ways with 4 Pole 125A Main Switch and 20/40 kA DP Surge Protective Device	1	465	321	776	679	105
WTPN16-125S	16 Ways with 4 Pole 125A Main Switch and 20/40 kA DP Surge Protective Device	1	465	321	830	733	105
WTPN18-125S	18 Ways with 4 Pole 125A Main Switch and 20/40 kA DP Surge Protective Device	1	465	321	884	787	105
WTPN24-125S	24 Ways with 4 Pole 125A Main Switch and 20/40 kA DP Surge Protective Device	1	465	321	1046	949	105

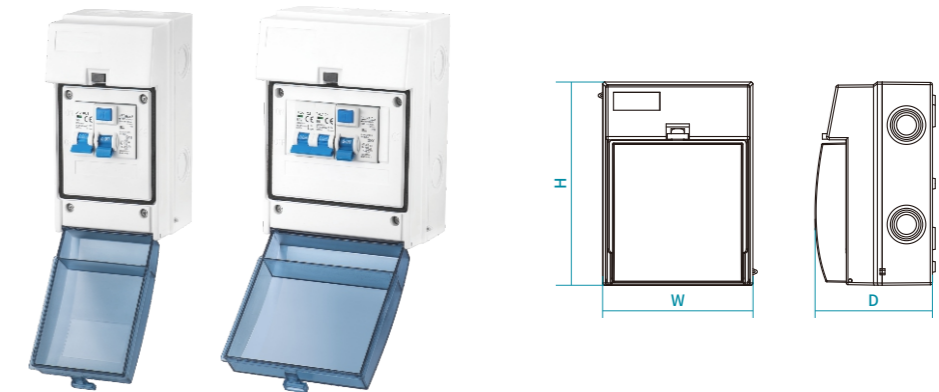


Part No	Description	Box Qty	W	H	D
WTPN-250S	Metal enclosure with 4P 20-40KA SPD for 250A TPN boards	1	464	263	125

IP65 Enclosures / Shower Units / Garage Units

Design Features

- Suitable for a variety of outdoor uses.
- IP65 rated.
- Fixed busbar.
- Manufactured from INSULATED FLAME RETARDENT ABS.
- Manufactured and approved to BS EN60439-3, BS EN61008 BS EN60898.
- Fitted with type A RCD.

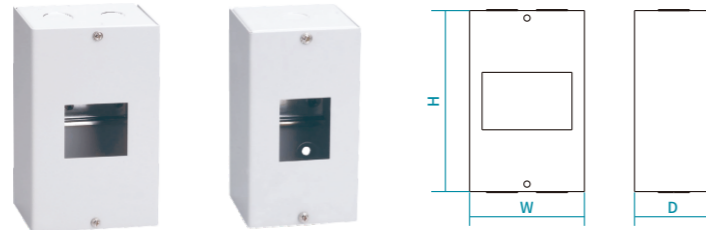


Part No	Description	Box Qty	W	H	D
WENC0365	3 Way Enclosure IP65	12	95	185	110
WENC0565	5 Way Enclosure IP65	12	130	185	110
WENC0865	8 Way Enclosure IP65	12	190	185	110
WES0365-A	3 Way c/w 63A RCD + B40A MCB IP65	12	95	185	110
WES0365-B	3 Way c/w 63A RCD + B50A MCB IP65	12	95	185	110
WEG0565-A	5 Way c/w 63A RCD + B6A/B16A MCB IP65	12	130	185	110
WEG0565-B	5 Way c/w 63A RCD + B6A/B20A MCB IP65	12	130	185	110
WEG0565-C	5 Way c/w 63A RCD + B6A/B32A MCB IP65	12	130	185	110

IP20 Metal Modular Enclosures

Design Features

- Manufactured from robust powder coated steel for improved durability.
- large and accessible wiring space.
- Raised din rail improves cable routing.
- Allows fitting of RCBOs or MCBs, all circuits can be independently.
- Protected by the use of RCBOs.

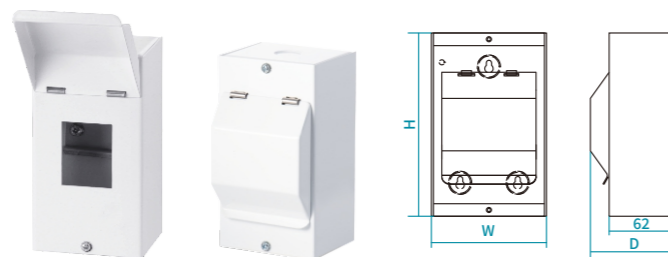


Part No	Description	Box Qty	W	H	D
WEMCU2	2Way Metal Modular Enclosure Without Lid	36	74	145	62
WEMCU3	3Way Metal Modular Enclosure Without Lid	24	110	175	62
WEMCU4	4Way Metal Modular Enclosure Without Lid	24	110	175	62
WEMCU4-L	4Way Metal Modular Enclosure Without Lid	18	115	225	62

IP40 Metal Enclosure With Lid

Design Features

- Fully enclosed metal construction body with drop down metal cover and metal lid.
- Circular cable entry knock-outs on the top and bottom.
- Raised key holes for secure easy installation.
- Modern style finished in white polyester powder coating to RAL9010.
- Complies with BS EN 61439-3.

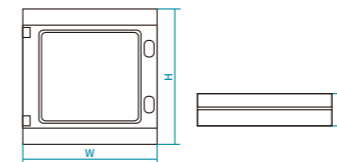


Part No	Description	Box Qty	W	H	D
WEMCU2-A	2 Way Metal Enclosure with Lid	24	74	145	80
WEMCU3-A	3 Way Metal Enclosure with Lid	16	110	175	80
WEMCU4-A	4 Way Metal Enclosure with Lid	16	110	175	80
WEMCU5-A	5 Way Metal Enclosure with Lid	8	120	175	80

Insulated IP65 Plastic Enclosure

Design Features

- IP65 rated, Suitable for a variety of outdoor uses.
- Manufactured from insulated flame retardant ABS.
- Suitable for housing modular components.
- Supplied complete with Din rail.



Part No	Description	Box Qty	W	H	D
WENC465	4 way Module plastic Enclosure IP65	30	140	210	100
WENC865	8 Way Moudule Plastic Enclosure IP65	20	215	210	100
WENC1265	12 Way Moudule Plastic Enclosure IP65	10	300	260	140
WENC1865	18 Way Moudule Plastic Enclosure IP65	5	410	285	140
WENC2465	24 Way Moudule Plastic Enclosure IP65	5	300	415	140

IP20 Plastic Enclosure

Design Features

This range is constructed from tough flame retardant ABS and rated at IP20, making them suitable for most indoor applications.

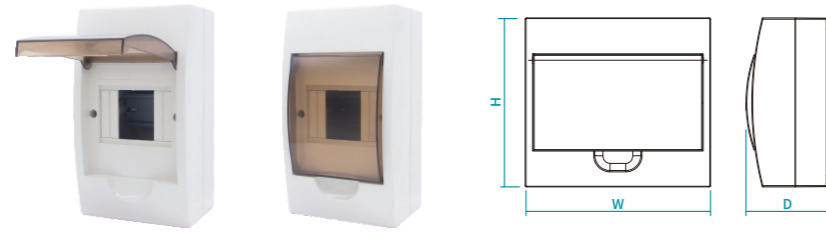


Part No	Description	Box Qty
WPEN2	2 Way Plastic Enclosure	50
WPEN4	4 Way Plastic Enclosure	50
WPEN2100D	2 Way Plastic Enclosure with DP 100A Main Switch (Double Wiring Terminal)	50
WPEN4100D	4 Way Plastic Enclosure with 4 Pole 100A Main Switch (Double Wiring Terminal)	25
WPEN2100D-SP	4 Way Plastic Enclosure with DP 100A Main Switch(Double Wiring Terminal) +20/40kA DP Surge Protective Device	25

IP40 Plastic Modular Enclosures

Design Features

This range is constructed from tough flame retardant ABS and are rated at IP40, making them suitable for most indoor applications. Suitable for housing MCBS, Main Switches & RCD ,etc.



Part No	Description	Box Qty	W	H	D
WENC0440	4 Way Plastic Modular Enclosures IP40	16	112	200	98
WENC0640	6 Way Plastic Modular Enclosures IP40	12	148	200	98
WENC0840	8 Way Plastic Modular Enclosures IP40	12	184	200	98
WENC1040	10 Way Plastic Modular Enclosures IP40	8	220	200	98
WENC1240	12 Way Plastic Modular Enclosures IP40		256	200	98
WENC1840	18 Way Plastic Modular Enclosures IP40		364	200	98
WENC2440	24 Way Plastic Modular Enclosures IP40		270	325	98
WENC3640	36 Way Plastic Modular Enclosures IP40		270	459	98

IP40 Plastic Modular Enclosures Flush Mounted

Design Features

This range is constructed from tough flame retardant ABS and are rated at IP40, making them suitable for most indoor applications. Suitable for housing MCBS, Main Switches & RCD ,etc.



Part No	Description	Box Qty	W	H	D
WFNC0440	4 Way Flush Plastic Modular Enclosures IP40	16	158	246	94
WFNC0640	6 Way Flush Plastic Modular Enclosures IP40	12	194	246	94
WFNC0840	8 Way Flush Plastic Modular Enclosures IP40	12	230	246	94
WFNC1040	10 Way Flush Plastic Modular Enclosures IP40	8	266	246	94
WFNC1240	12 Way Flush Plastic Modular Enclosures IP40		304	246	94
WFNC1840	18 Way Flush Plastic Modular Enclosures IP40		412	246	94
WFNC2440	24 Way Flush Plastic Modular Enclosures IP40		306	356	94
WFNC3640	36 Way Flush Plastic Modular Enclosures IP40		306	483	94

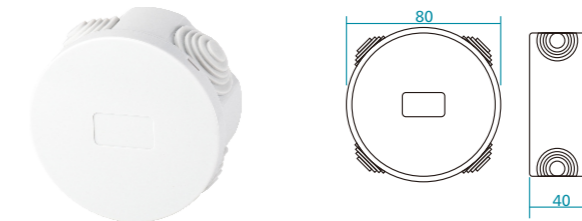
Junction Box

Design Features

The LAIWO junction boxes range is available in a wide range of sizes. They are high-impact and low temperature- resistant for use anywhere in the world for virtually any application.

They are available in a wide variety of sizes and materials for multiple applications: lighting, power, instrumentation and more. For even more flexibility, can come complete with terminals, can be pre-drilled, or drilled and fitted with terminals on site.

- Standard: IEC 60670-1 ; IEC 60670-22; CEI 23-48.
- Degree of protection: IP 44; IP 56.
- Installation temperature: Max +60 °C Min -25 °C.



Part No	Description	IP Rating	Knock Out	Box Qty
WJB654R	Round65x30	IP44	4PCS GROMMETS	120
WJB804R	Round80x40	IP44	4PCS GROMMETS	120



Part No	Description	IP Rating	Knock Out	Box Qty
WJB804S	80x80x40	IP44	6PCS GROMMETS	200
WJB105S	100x100x50	IP44	6PCS GROMMETS	100
WJB125S	120x80x50	IP44	6PCS GROMMETS	100
WJB155S	150x110x70	IP44	10PCS GROMMETS	60
WJB195S	190x140x70	IP44	10PCS GROMMETS	30



Part No	Description	IP Rating	Knock Out	Box Qty
WJB105B	100x100x50	IP56	Plan Side	100
WJB125B	120x80x50	IP56	Plan Side	100
WJB155B	150x110x70	IP56	Plan Side	60
WJB195B	190x140x70	IP56	Plan Side	30
WJB245B	240x190x90	IP56	Plan Side	20
WJB305B	300x220x120	IP56	Plan Side	10
WJB385B	380x300x120	IP56	Plan Side	5
WJB466B	460x380x130	IP56	Plan Side	5

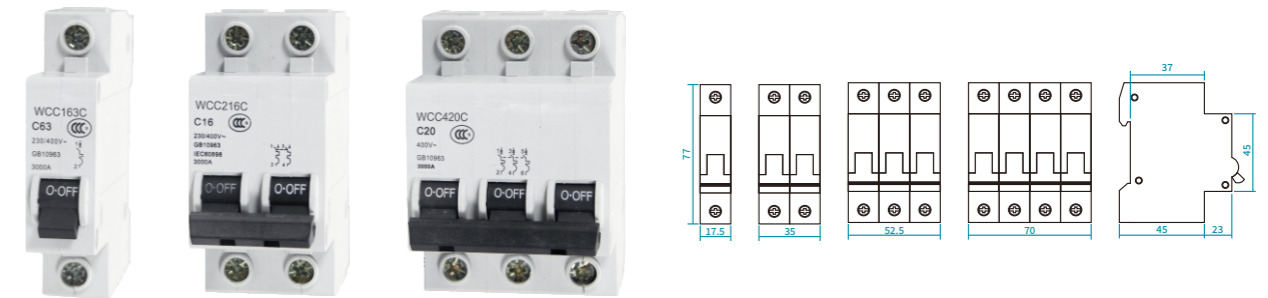
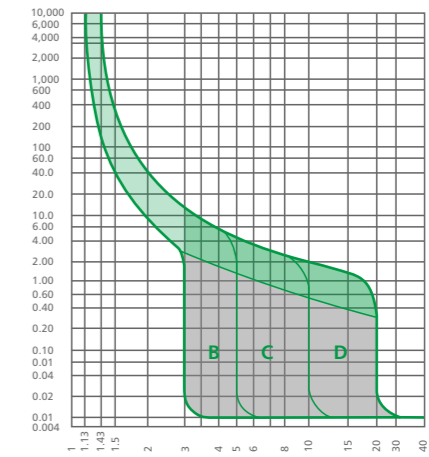
MCB RCD RCBO AND MAIN SWITCH



WCC Miniature Circuit Breakers

Design Features

- Rated current I_n (A) :6,10,16,20,25,32,40,50,63
- Poles: 1P,2P,3P,4P
- Rated voltage U_e (AC): 230/400V
- Rated frequency: 50/60Hz
- Insulation voltage U_i : 500V
- Rated breaking capacity(A): 3kA
- Rated impulse withstand voltage(1.2/50) U_{imp} (V): 4000
- Dielectric test voltage at ind. Frq for 1 min (KV) : 2
- Ambient temperature(with daily average $\leq 35^\circ\text{C}$: $-5\sim+40$)
- Thermo-magnetic release characteristic: B,C,D
- Electrical life: 8,000
- Contact position degree: IP20
- Storage temperature($^\circ\text{C}$): $-25\sim+70$)
- Reference temperature for setting of thermal element ($^\circ\text{C}$):30

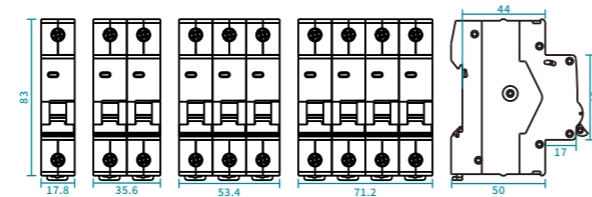
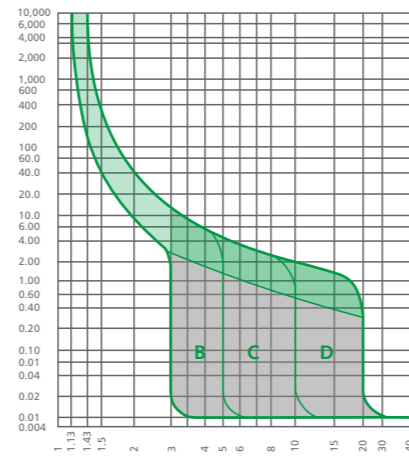


Part No	Description	Box Qty
WCC106B~163B	1Pole 6Amps~63Amps B Curve 3kA MCB	12
WCC206B~263B	2Pole 6Amps~63Amps B Curve 3kA MCB	6
WCC306B~363B	3Pole 6Amps~63Amps B Curve 3kA MCB	4
WCC406B~463B	4Pole 6Amps~63Amps B Curve 3kA MCB	3
WCC106C~163C	1Pole 6Amps~63Amps C Curve 3kA MCB	12
WCC206C~263C	2Pole 6Amps~63Amps C Curve 3kA MCB	6
WCC306C~363C	3Pole 6Amps~63Amps C Curve 3kA MCB	4
WCC406C~463C	4Pole 6Amps~63Amps C Curve 3kA MCB	3
WCC106D~163D	1Pole 6Amps~63Amps D Curve 3kA MCB	12
WCC206D~263D	2Pole 6Amps~63Amps D Curve 3kA MCB	6
WCC306D~363D	3Pole 6Amps~63Amps D Curve 3kA MCB	4
WCC406D~463D	4Pole 6Amps~63Amps D Curve 3kA MCB	3

WCA Miniature Circuit Breakers

Design Features

- Rated current I_n (A) :6,10,16,20,25,32,40,50,63
- Poles: 1P,2P,3P,4P
- Rated voltage U_e (AC): 230/400V
- Rated frequency: 50/60Hz
- Insulation voltage U_i : 500V
- Rated breaking capacity(A): 6kA
- Rated impulse withstand voltage(1.2/50) U_{imp} (V): 4000
- Dielectric test voltage at ind. Frq for 1 min (KV) : 2
- Ambient temperature(with daily average $\leq 35^\circ\text{C}$: -5~+40)
- Thermo-magnetic release characteristic: B,C,D
- Electrical life: 8,000
- Contact position degree: IP20
- Storage temperature($^\circ\text{C}$): -25~+70)
- Reference temperature for setting of thermal element ($^\circ\text{C}$):30

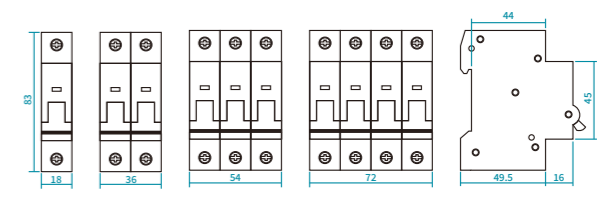
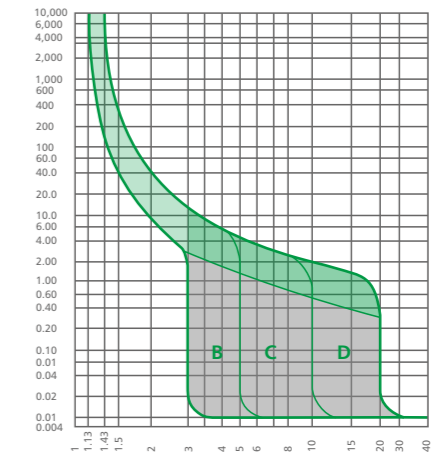


Part No	Description	Box Qty
WCA106B~163B	1Pole 6Amps~63Amps B Curve 6kA MCB	12
WCA206B~263B	2Pole 6Amps~63Amps B Curve 6kA MCB	6
WCA306B~363B	3Pole 6Amps~63Amps B Curve 6kA MCB	4
WCA406B~463B	4Pole 6Amps~63Amps B Curve 6kA MCB	3
WCA106C~163C	1Pole 6Amps~63Amps C Curve 6kA MCB	12
WCA206C~263C	2Pole 6Amps~63Amps C Curve 6kA MCB	6
WCA306C~363C	3Pole 6Amps~63Amps C Curve 6kA MCB	4
WCA406C~463C	4Pole 6Amps~63Amps C Curve 6kA MCB	3
WCA106D~163D	1Pole 6Amps~63Amps D Curve 6kA MCB	12
WCA206D~263D	2Pole 6Amps~63Amps D Curve 6kA MCB	6
WCA306D~363D	3Pole 6Amps~63Amps D Curve 6kA MCB	4
WCA406D~463D	4Pole 6Amps~63Amps D Curve 6kA MCB	3

WCB Miniature Circuit Breakers

Design Features

- Rated current I_n (A) :6,10,16,20,25,32,40,50,63
- Poles: 1P,2P,3P
- Rated voltage U_e (AC): 230/400V
- Rated frequency: 50/60Hz
- Insulation voltage U_i : 500V
- Rated breaking capacity(A): 10kA
- Rated impulse withstand voltage(1.2/50) U_{imp} (V): 4000
- Dielectric test voltage at ind. Frq for 1 min (KV) : 2
- Thermo-magnetic release characteristic: B,C,D
- Electrical life: 8,000
- Mechanical life: 20,000
- Contact position degree: IP20
- Reference temperature for setting of thermal element ($^\circ\text{C}$):30
- Ambient temperature(with daily average $\leq 35^\circ\text{C}$: -5~+40)
- Storage temperature($^\circ\text{C}$): -25~+70)

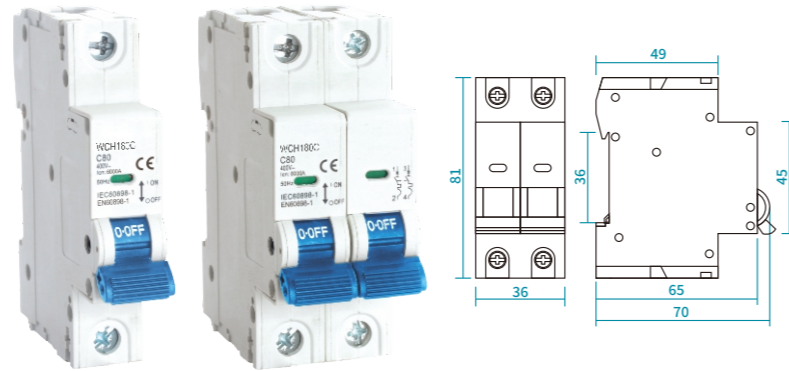


Part No	Description	Box Qty
WCB106B~163B	1Pole 6Amps~63Amps B Curve 10kA MCB	12
WCB206B~263B	2Pole 6Amps~63Amps B Curve 10kA MCB	6
WCB306B~363B	3Pole 6Amps~63Amps B Curve 10kA MCB	4
WCB406B~463B	4Pole 6Amps~63Amps B Curve 10kA MCB	3
WCB106C~163C	1Pole 6Amps~63Amps C Curve 10kA MCB	12
WCB206C~263C	2Pole 6Amps~63Amps C Curve 10kA MCB	6
WCB306C~363C	3Pole 6Amps~63Amps C Curve 10kA MCB	4
WCB406C~463C	4Pole 6Amps~63Amps C Curve 10kA MCB	3
WCB106D~163D	1Pole 6Amps~63Amps D Curve 10kA MCB	12
WCB206D~263D	2Pole 6Amps~63Amps D Curve 10kA MCB	6
WCB306D~363D	3Pole 6Amps~63Amps D Curve 10kA MCB	4
WCB406D~463D	4Pole 6Amps~63Amps D Curve 10kA MCB	3

WCH Miniature Circuit Breakers

Design Features

- Rated current In (A) :80, 100
- Rated voltage Ue(AC): 240/415V
- Insulation voltage Ui: 500V
- Thermo-magnetic release characteristic: B,C,D
- Mechanical life: 20,000
- Ambient temperature(with daily average $\leq 35^{\circ}\text{C}$:-5~+40)
- Storage temperature(°C):-25~+70)
- Poles: 1P,2P,3P
- Rated frequency: 50/60Hz
- Rated breaking capacity(A): 6 kA
- Electrical life: 8,000
- Contact position degree: IP20

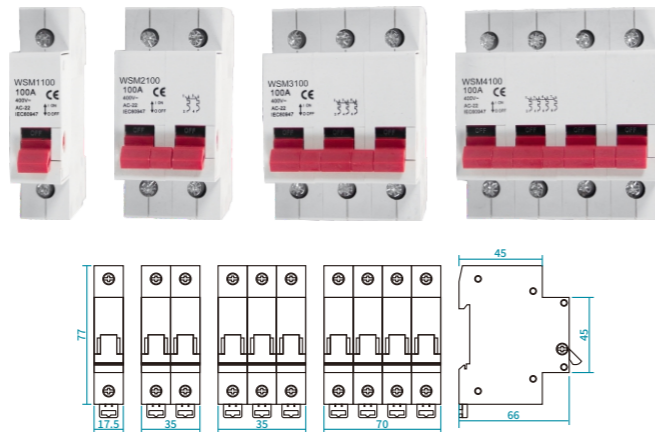


Part No	Description	Box Qty
WCH180C	1 Pole 80Amps C Curve MCB	12
WCH1100C	1 Pole 100Amps C Curve MCB	12
WCH280C	2 Pole 80Amps C Curve MCB	6
WCH2100C	2 Pole 100Amps C Curve MCB	6
WCH380C	3 Pole 80Amps C Curve MCB	4
WCH3100C	3 Pole 100Amps C Curve MCB	4

WSM-100 Main Switch

Design Features

- 100A Rated Current
- 230/400V Rated Voltage
- 10,000 Cycles Electrical Life
- 10,000 Operations Mechanical Life
- BS EN60947-3 Compliant

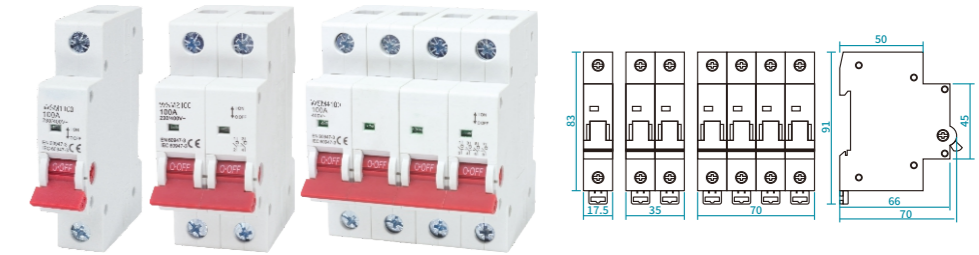


Part No	Description	Box Qty
WSM1100	1 Pole 100A	12
WSM2100	2 Pole 100A	6
WSM3100	3 Pole 100A	4
WSM4100	4 Pole 100A	3

WSM-125 Main Switch

Design Features

- 100/125A Rated Current
- 230/400V Rated Voltage
- 10,000 Cycles Electrical Life
- 10,000 Operations Mechanical Life
- BS EN60947-3 Compliant

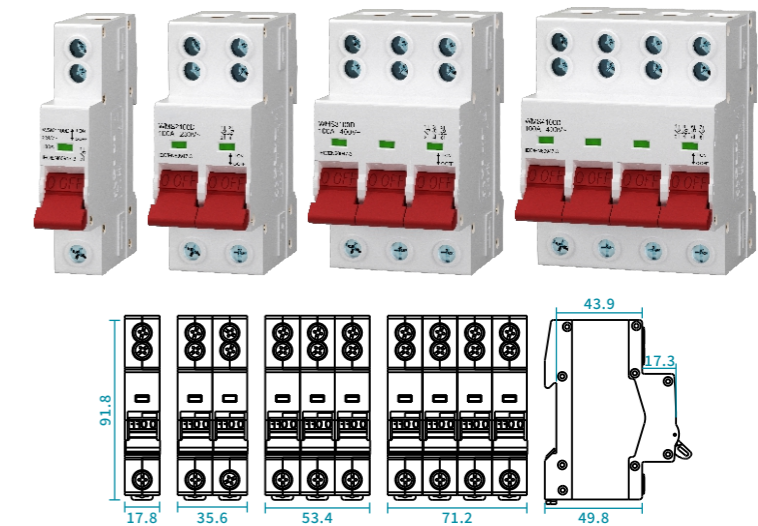


Part No	Description	Box Qty
WSM1100	1 Pole 100A	12
WSM2100	2 Pole 100A	6
WSM3100	3 Pole 100A	4
WSM4100	4 Pole 100A	3
WSM1125	1 Pole 125A	12
WSM2125	2 Pole 125A	6
WSM3125	3 Pole 125A	4
WSM4125	4 Pole 125A	3

WSM-125D Main Switch

Design Features

- 100/125A Rated Current
- 230/400V Rated Voltage
- BS IEC/EN 60947-3 Compliant
- Double Wiring Terminal

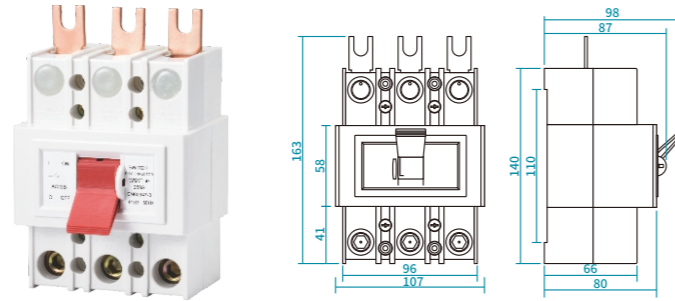


Part No	Description	Box Qty
WSM1100D	1 Pole 100A Double Wiring Terminal	12
WSM2100D	2 Pole 100A Double Wiring Terminal	6
WSM3100D	3 Pole 100A Double Wiring Terminal	4
WSM4100D	4 Pole 100A Double Wiring Terminal	3
WSM1125D	1 Pole 125A Double Wiring Terminal	12
WSM2125D	2 Pole 125A Double Wiring Terminal	6
WSM3125D	3 Pole 125A Double Wiring Terminal	4
WSM4125D	4 Pole 125A Double Wiring Terminal	3

WSM-250 Main Switch

Design Features

- 100/125A Rated Current
- 230/400V Rated Voltage
- 10,000 Cycles Electrical Life
- 10,000 Operations Mechanical Life
- BS EN60947-3 Compliant



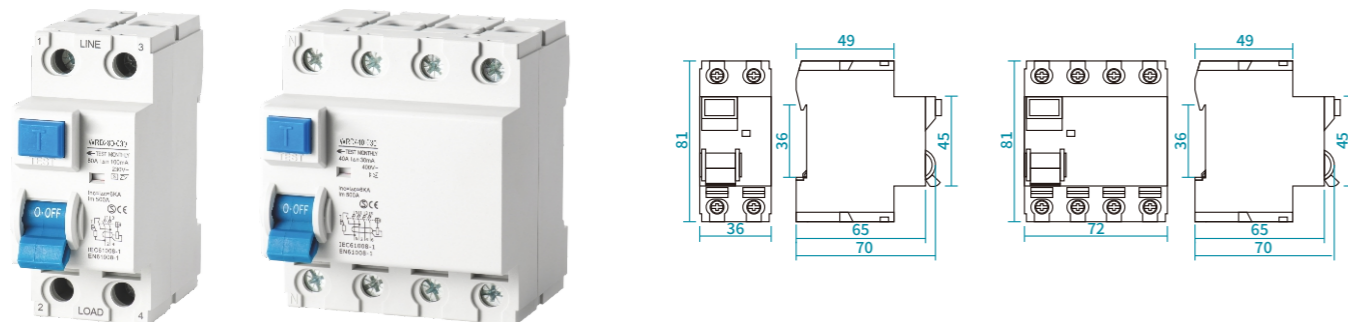
Part No	Description	Box Qty
WSM3250	3 Pole 250A	

WRD Type A/AC Residual Current Circuit Breaker

Design Features

LAIWO brand Type A RCDS are designed specifically for individual EV chargers, where the model and make of the vehicle being charged is unknown. They can detect & respond as for type AC, plus pulsating DC components.

- Pole No.: 2, 4
- Rated current(A): 25 40 63 80 100A
- Rated voltage: 240/415V AC
- Rated frequency: 50/60Hz
- Rated residual operating current I Δ (mA):30,100
- Rated residual non operating current: 0.5I Δ n
- Rated conditional breaking current Inc: 6000A
- Tripping duration Instantaneous tripping $\leq 0.1s$
- Residual tripping current range:0.5I Δ n-I Δ n
- Electro-mechanical endurance:4000 cycles
- Connection capacity Rigid conductor up to 25mm²
- Connection terminal Screw terminal
- Pillar terminal with clamp
- Fastening torque 2.0 Nm
- Installation: On symmetrical DIN rail 35mm
- Panel mounting



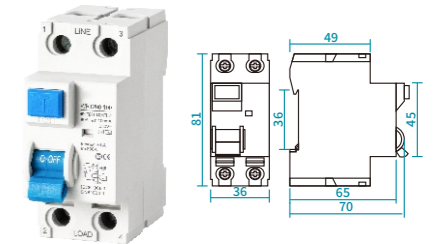
Part No	Description	Box Qty
WRD225~2100/030	2Pole 25Amps~100Amps 30mA high immunity RCD	60
WRD225~2100/100	2Pole 25Amps~100Amps 100mA high immunity RCD	60
WRD225~2100/300	2Pole 25Amps~100Amps 300mA high immunity RCD	60
WRD425~4100/030	4Pole 25Amps~100Amps 30mA high immunity RCD	30
WRD425~4100/100	4Pole 25Amps~100Amps 100mA high immunity RCD	30
WRD425~4100/300	4Pole 25Amps~100Amps 300mA high immunity RCD	30

WRT Type A/AC Residual Current Circuit Breaker (Time Delay)

Design Features

Provides protection against earth fault/leakage current and function of isolation; High breaking current withstand capacity; Applicable to terminal and pin type busbar connection; Equipped with finger protected connection terminals; Flame resistant plastic parts endures abnormal heating and strong impact; Automatically disconnect the circuit when earth fault/leakage current occurs and exceeds the rated sensitivity; Independent of power supply and line voltage, and free from external interference, voltage fluctuation.

- Pole No.: 2
- Rated current(A):80 100A
- Rated voltage: 240/415V AC
- Rated frequency: 50/60Hz
- Rated residual operating current I Δ (mA):30,100
- Rated residual non operating current: 0.5I Δ n
- Rated conditional breaking current Inc: 6000A
- Tripping duration Instantaneous tripping $\leq 0.1s$
- Residual tripping current range:0.5I Δ n-I Δ n
- Electro-mechanical endurance:4000 cycles
- Connection capacity Rigid conductor up to 35mm²
- Connection terminal Screw terminal
- Pillar terminal with clamp
- Fastening torque 2.0 Nm
- Installation: On symmetrical DIN rail 35mm
- Panel mounting



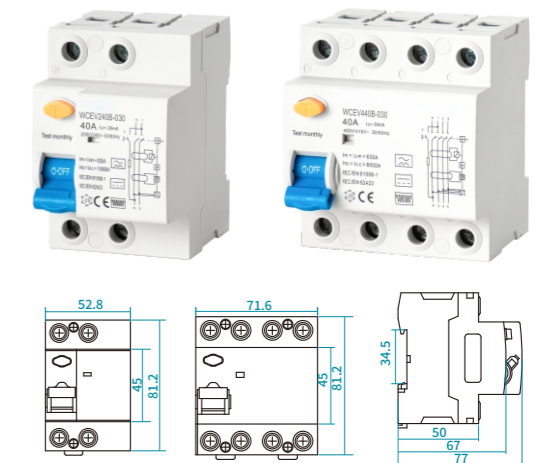
Part No	Description	Box Qty
WRT280-100	2Pole 80Amps 100mA Time Delay RCD	60
WRT2100-100	2Pole 100Amps 100mA Time Delay RCD	60

WCEV Type B Residual Current Circuit Breaker

Design Features

Smooth DC residual currents can occur in industrial, commercial and residential applications which contain photovoltaic systems, frequency converters or electronic devices. Our type B RCCB can detect DC fault currents, which can occur in frequency inverter controls, photovoltaic systems as well as through electronics used in households. They can detect residual current faults comprising of pure AC up to 1000 hertz, rectified AC, pure DC and pulsating DC, and increases safety considerably. They comply with IEC/EN 61008-1 and IEC/EN 62423.

- Rated Current: 25A,40A,63A
- Rated tripping current I Δ n: 30mA/100mA/300mA
- Sensitivity:AC, pulsating and smooth DC residual currents
- Rated voltage Un:230/400 V AC
- Rated frequency: 50Hz
- Rated insulation voltage Ui: 440V
- Rated impulse withstand voltage Uimp: 4 kV (1,2/50 μ s)
- Rated short circuit capacity Icn: 10kA
- Peak withstand current:3kA
- Endurance electrical:4.000 operating cycles
- Endurance mechanical: 20000 operating cycles
- Operation temperature:-5 °C to +40 °C
- Degree of protection: IP20
- Terminal capacity: 1,5 - 35 mm²
- Rated: 6mA Smooth DC



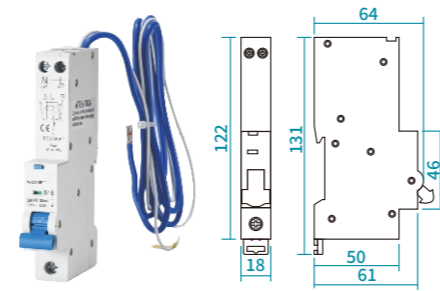
Part No	Description	Box Qty
WCEV225B-030	2 Pole 25Amps 30mA Type B RCCB (3 module)	1
WCEV240B-030	2 Pole 40Amps 30mA Type B RCCB (3 module)	1
WCEV263B-030	2 Pole 63Amps 30mA Type B RCCB (3 module)	1
WCEV425B-030	4 Pole 25Amps 30mA Type B RCCB (4 module)	1
WCEV440B-030	4 Pole 40Amps 30mA Type B RCCB (4 module)	1
WCEV463B-030	4 Pole 63Amps 30mA Type B RCCB (4 module)	1

WRC Type A/AC Standard RCBO

Design Features

Provides protection against earth fault/leakage current, short circuit, overload.
Effectively protects electric equipment against insulating failure.
Handle can be locked with pad-lock to prevent unwanted operation.

- Rated current (In): 6A, 10A, 16A, 20A, 25A, 32A, 40A, 50A.
- Rated voltage (Un): 230V AC.
- Breaking capacity (Icn): 6kA, 10kA.
- Rated residual current: 30mA.
- Tripping characteristics: B, C.
- Electrical endurance: 4000 cycles.
- Mechanical endurance: 10000 cycles.
- Complies with BS EN 61009-1.



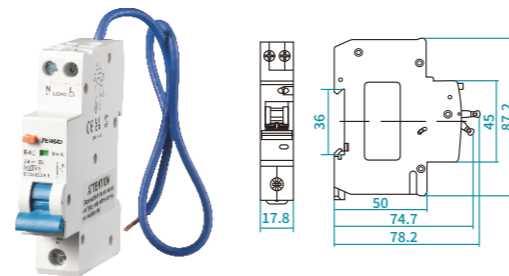
Part No	Description	Box Qty
WRC106B-163B/030	Single Module 6Amps-63Amps B Curve 30mA	40
WRC106B-163B/100	Single Module 6Amps-63Amps B Curve 100mA	40
WRC106C-163B/030	Single Module 6Amps-63Amps C Curve 30mA	40
WRC106C-163B/100	Single Module 6Amps-63Amps C Curve 100mA	40

WRS Type A/AC mini RCBO

Design Features

Switching and isolation.
Overload and short circuit protection.
Protection against the effects of sinusoidal alternation earth fault currents.
Indirect and direct contacts protection.
Protection against fire hazard caused by insulation faults.

- Rated current (In): 6A, 10A, 16A, 20A, 25A, 32A, 40A.
- Rated voltage (Ue): 230V AC.
- Breaking capacity (Icn): 6kA.
- Rated residual current: 30mA, 100mA.
- Tripping characteristic: B.
- Electrical endurance: 4000 cycles.
- Mechanical endurance: 100000 cycles.
- Complies with BS EN 61009-1.



Part No	Description	Box Qty
WRS106B-140B/030	Single Module 6Amps-40Amps B Curve 30mA	50
WRS106B-140B/100	Single Module 6Amps-40Amps B Curve 100mA	50
WRS106C-140B/030	Single Module 6Amps-40Amps C Curve 30mA	50
WRS106C-140B/100	Single Module 6Amps-40Amps C Curve 100mA	50

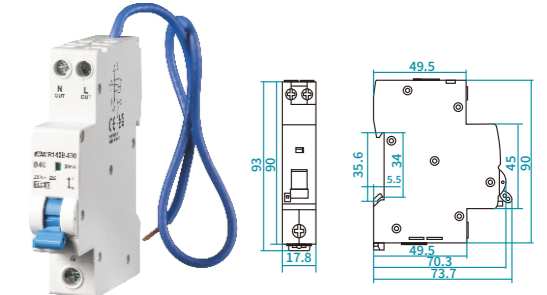
WAMR Type A/AC Mini RCBO (Neutral Line Switched)

Design Features

WAMR is a range of MCB sized RCBOs, apply to circuit of AC50/60Hz. Rated voltage to 230V, and current up to 40 A, bring higher levels of safety to an electrical installation and its users because they include switched neutral as standard, which will guarantee that healthy circuits remain in service and that only a faulty circuit is switched off and bring cost savings by reducing installation and testing times.

- Switching and isolation.
- Overload and short circuit protection.
- Protection against the effects of sinusoidal alternation earth fault currents.
- Indirect and direct contacts protection.
- Protection against fire hazard caused by insulation faults.

- Rated current (In): 6A, 10A, 16A, 20A, 25A, 32A, 40A.
- Rated voltage (Ue): 230V AC.
- Breaking capacity (Icn): 6kA.
- Rated residual current: 30mA, 100mA.
- 2pole.
- Tripping characteristic: B, C.
- Electrical endurance: 4000 cycles.
- Mechanical endurance: 100000 cycles.
- Complies with BS EN 61009-1.
- Type: AC, A.

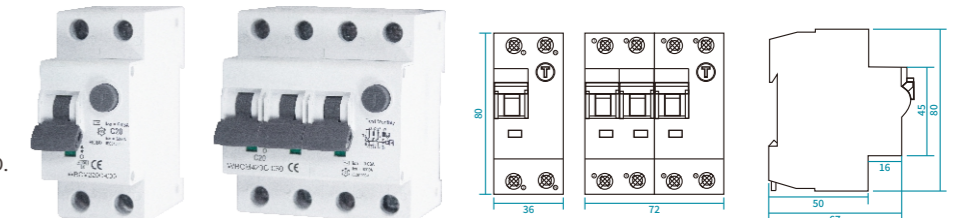


Part No	Description	Box Qty
WAMR106B-140B/030	Single Module 6Amps-40Amps B Curve 30mA	60
WAMR106B-140B/100	Single Module 6Amps-40Amps B Curve 100mA	60
WAMR106C-140B/030	Single Module 6Amps-40Amps C Curve 30mA	60
WAMR106C-140B/100	Single Module 6Amps-40Amps C Curve 100mA	60

WRCM Type A/AC Electromagnetic RCBO

Design Features

- Rated current In (A) :6,10,16,20,25,32,40.
- Poles: 1P+N,2P,4P.
- Rated voltage Ue: 230/400V.
- Rated frequency: 50Hz.
- Rated breaking capacity(A): 10KA.
- Thermo-magnetic release characteristic: C, D.
- Contact position degree: Ip40.
- Electrical life: Not less than4,000.



Part No	Description	Box Qty
WRCM206B-240B/030	2Pole (2 Modeles) 6Amps-40Amps B Curve 30mA	
WRCM206C-240C/030	2Pole (2 Modeles) 6Amps-40Amps C Curve 30mA	
WRCM206D-240D/030	2Pole (2 Modeles) 6Amps-40Amps D Curve 30mA	
WRCM206B-240B/100	2Pole (2 Modeles) 6Amps-40Amps B Curve 100mA	
WRCM206C-240C/100	2Pole (2 Modeles) 6Amps-40Amps C Curve 100mA	
WRCM206D-240D/100	2Pole (2 Modeles) 6Amps-40Amps D Curve 100mA	

Part No	Description	Box Qty
WRCM406B-440B/030	2Pole (2 Modeles) 6Amps-40Amps B Curve 30mA	
WRCM406C-440C/030	2Pole (2 Modeles) 6Amps-40Amps C Curve 30mA	
WRCM406D-440D/030	2Pole (2 Modeles) 6Amps-40Amps D Curve 30mA	
WRCM406B-440B/100	4Pole (4 Modeles) 6Amps-40Amps B Curve 100mA	
WRCM406C-440C/100	4Pole (4 Modeles) 6Amps-40Amps C Curve 100mA	
WRCM406D-440D/100	4Pole (4 Modeles) 6Amps-40Amps D Curve 100mA	

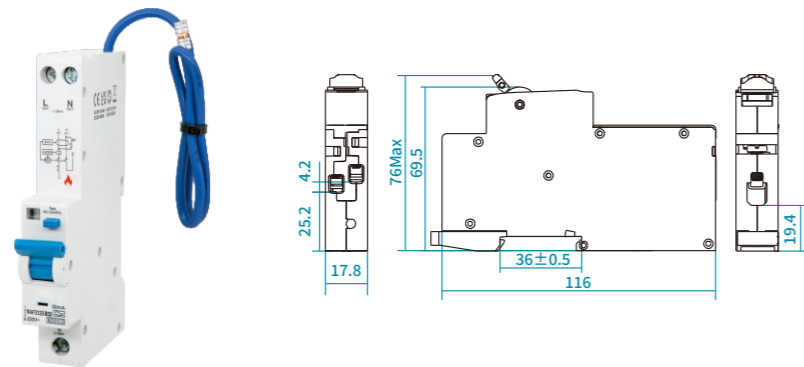
WAFD Type A/AC Arc Fault Detection Device With RCBO

Design Features

The WAFD series arc fault protector combines arc fault detection with RCBO protection. The WAFD series arc fault protector has the functions of short circuit protection, overload protection, leakage protection and arc fault protection.

WAFD series arc fault protection devices are designed for use on circuits rated up to 32A and below to protect against arc faults, overloads, short circuits and leakage. When the WAFD series arc fault protection devices detect the presence of arc faults in the line, they will automatically trip and isolate the circuit.

- Rated working voltage (Ue): AC230V.
- Rated operating frequency: $\pm 50\text{Hz}$ 2%.
- Rated insulation voltage (Ui): 400V.
- Rated impulse withstand voltage (Uimp): 4kV.
- Rated current (In): 6A, 10A, 16A, 20A, 25A, 32A, 40A.
- Number of N poles: 1P+N.
- Protection Curve B.
- Operating short-circuit capacity (Ics): 6kA.
- Rated residual operating current Δn : 30mA.
- RCD Type: AC, A.
- Insulation material group: IIIa.
- Ambient Temperature range: $-5\sim 40^{\circ}\text{C}$.
- Storage Temperature range: $-25^{\circ}\text{C} \sim +55^{\circ}\text{C}$.



Type A mini RCBO Single Module

Part No	Description	Box Qty
WAFD6B	6A Bcurve Arc Detection Device With RCBO	40
WAFD10B	10A Bcurve Arc Detection Device With RCBO	40
WAFD16B	16A Bcurve Arc Detection Device With RCBO	40
WAFD20B	20A Bcurve Arc Detection Device With RCBO	40
WAFD25B	25A Bcurve Arc Detection Device With RCBO	40
WAFD32B	32A Bcurve Arc Detection Device With RCBO	40
WAFD40B	40A Bcurve Arc Detection Device With RCBO	40

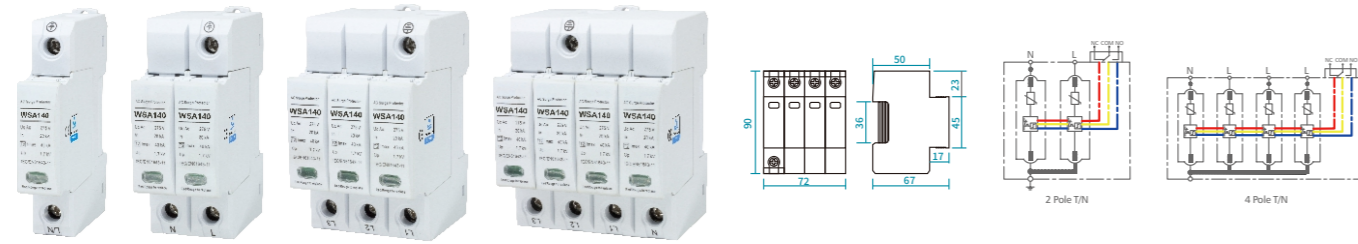
03 SURGE PROTECTOR



WSA SA Range Surge Protective Device

Design Features

SPDs are recommended for installations in accordance with 18th edition wiring regulation to protect sensitive and expensive electrical equipment. This range of SPDs are characterised by an 8/20μs current wave, they can prevent the spread of overvoltages in electrical installations and protects equipment connected to it. These surge protector must be replaced if the indicator turns red. They comply with BS EN61643-11.



Technical Parameters

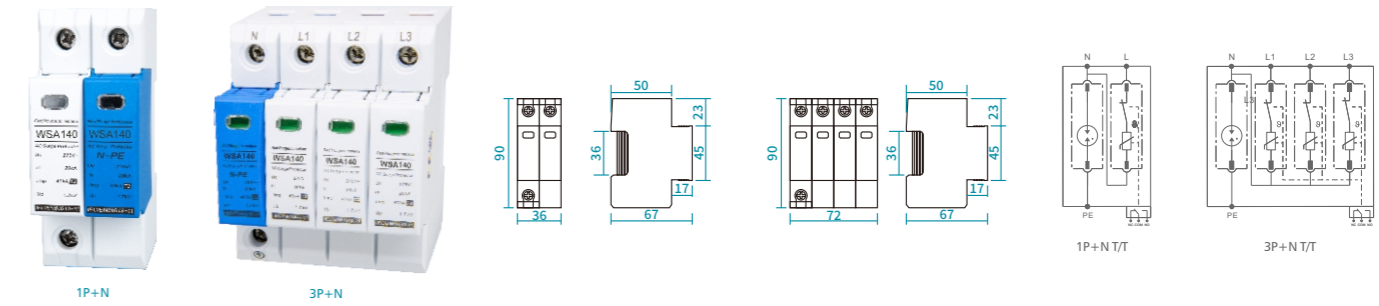
Part No	WSA120	WSA140	WSA160	WSA220
Type	Type2	Type2	Type2	Type2
Voltage	230/380V	230/380V	230/380V	230/380V
Temporary overvoltage withstand UT	440/660V AC	440/660V AC	440/660V AC	440/660V AC
Nominal discharge current In	10kA	20kA	30kA	10kA
Maximum discharge current I _{max}	20kA	40kA	60kA	20kA
Protection level (at In) CM/DM (2) Up	1.3kV	1.5kV	2.0kV	1.3kV
Residual voltage at 5 kA	1.2kV	1.3kV	1.5kV	1.2kV
Admissible short-circuit current	25kA	25kA	25kA	25kA
Fuses type gG	100A max	100A max	100A max	125A max
Operating temperature		-40 / +85 °C		
Protection class	IP20	IP20	IP20	IP20

Part No	WSA240	WSA260	WSA420	WSA440	WSA460
Type	Type2	Type2	Type2	Type2	Type2
Voltage	230/380V	230/380V	230/380V	230/380V	230/380V
Temporary overvoltage withstand UT	440/660V AC	440/660V AC	440/660V AC	440/660V AC	440/660V AC
Nominal discharge current In	20kA	30kA	10kA	20kA	30kA
Maximum discharge current I _{max}	40kA	60kA	20kA	40kA	60kA
Protection level (at In) CM/DM (2) Up	1.5kV	2.0kV	1.3kV	1.5kV	2.0kV
Residual voltage at 5 kA	1.3kV	1.5kV	1.2kV	1.3kV	1.5kV
Admissible short-circuit current	25kA	25kA	25kA	25kA	25kA
Fuses type gG	125A max	125A max	125A max	125A max	125A max
Operating temperature			-40 / +85 °C		
Protection class	IP20	IP20	IP20	IP20	IP20

Part No	Description	Box Qty
WSA120	1 Pole 10kA/20kA Type 2 Surge Protective Device	96
WSA140	1 Pole 20kA/40kA Type 2 Surge Protective Device	96
WSA160	1 Pole 30kA/60kA Type 2 Surge Protective Device	96
WSA220	2 Pole 10kA/20kA Type 2 Surge Protective Device	48
WSA240	2 Pole 20kA/40kA Type 2 Surge Protective Device	48
WSA260	2 Pole 30kA/60kA Type 2 Surge Protective Device	48
WSA420	4 Pole 10kA/20kA Type 2 Surge Protective Device	24
WSA440	4 Pole 20kA/40kA Type 2 Surge Protective Device	24
WSA460	4 Pole 30kA/60kA Type 2 Surge Protective Device	24

WSA Range Surge Protective Device

Design Features



Part No	Description	Box Qty
WSA120 1P+N	1P+N 2Pole 10KA/20KA Type 2 Surge Protective Device	
WSA120 3P+N	3P+N 2Pole 10KA/20KA Type 2 Surge Protective Device	
WSA140 1P+N	1P+N 4Pole 20KA/40KA Type 2 Surge Protective Device	96
WSA140 3P+N	3P+N 4Pole 20KA/40KA Type 2 Surge Protective Device	24

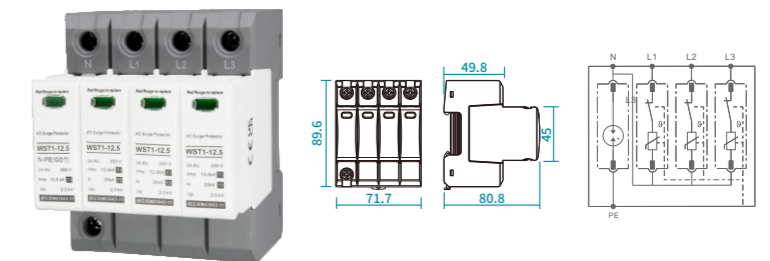
Technical Date

Part No	WSA120	WSA140
Type	Type2	Type2
Voltage	230/275V	230/380V
Temporary overvoltage withstand UT	440/660V AC	440/660V AC
Nominal discharge current In	20kA	10kA
Maximum discharge current I _{max}	40kA	20kA
Protection level (at In) CM/DM (2) Up	1.5kV	1.3kV
Residual voltage at 5 kA	1.3kV	1.2kV
Admissible short-circuit current	25kA	25kA
Fuses type gG	100A max	125A max
Operating temperature		-40 / +85 °C
Protection class	IP20	IP20

WST1 Range Surge Protective Device

Design Features

- Rated Voltage (UcAc) :255V/320V
- Type:Type1
- Lightning pulse current (Iimp):12.5kA
- Nominal discharge current (In):30kA
- Voltage protection level (Up):≤2.0kV
- Protection degree :Ip20
- Ambient Temperature :-40°C~+80°C
- Number of Poles :3P+N
- Test Standard :61643-1
- Mounting on:35mm DIN rail



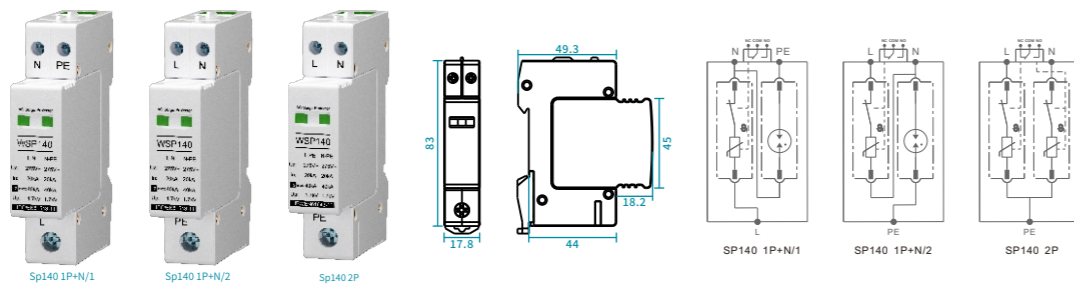
Part No	Description	Box Qty
WST1-12.5	3P+N 30kA Type 1 Surge Protective Device	

WSP Surge Protective Device

Design Features

SPDs are recommended for installations in accordance with 18th edition wiring regulation to protect sensitive and expensive electrical equipment. This range of SPDs are characterised by an 8/20µs current wave, they can prevent the spread of over voltages in electrical installations and protects equipment connected to it. These surge protector must be replaced if the indicator turns red. They comply with BS EN61643-11.

- Single-phase protection for T/T system
- Pluggable module, easy for installation and maintenance
- High discharge capacity, quick response
- Double thermal disconnection devices, providing more reliable protection
- Green window will change when fault and also provide remote alarm control at the same time



Part No	Description
WSP 120 1P+N/1	1P+N 10kA/20kA Type 2 Surge Protective Device
WSP 120 1P+N/2	1P+N 10kA/20kA Type 2 Surge Protective Device
WSP 120 2P	2P 10kA/20kA Type 2 Surge Protective Device
WSP 140 1P+N/1	1P+N 20kA/40kA Type 2 Surge Protective Device
WSP 140 1P+N/2	1P+N 20kA/40kA Type 2 Surge Protective Device
WSP 140 2P	2P 20kA/40kA Type 2 Surge Protective Device

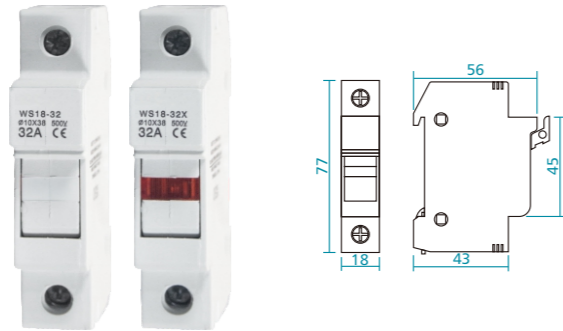
04 FUSE



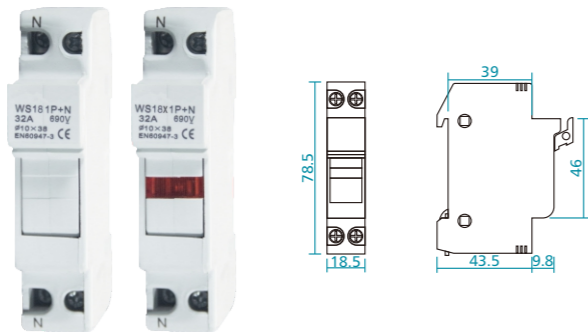
WS18 Fuse Holder

Design Features

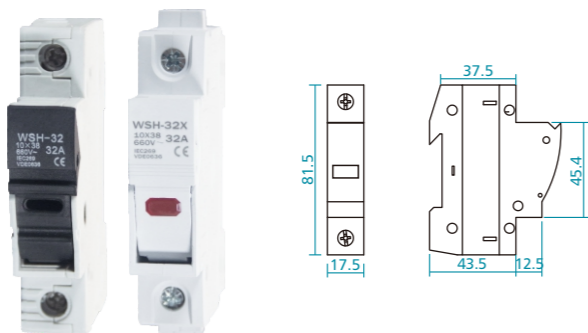
LAIWO fuse holders are mainly used for protecting the electrical circuit against overload and short-circuits(gG/gL), they are made of a polymer high performance with a fusion temperature more than 300 °C. This provides a safety margin against a possible overheating of the fuse, and when it exceeds the rated power acceptance of the fuse holder. They for industrial cylindrical fuse links, for mounting on din rail. They Comply with IEC/ EN 60269.



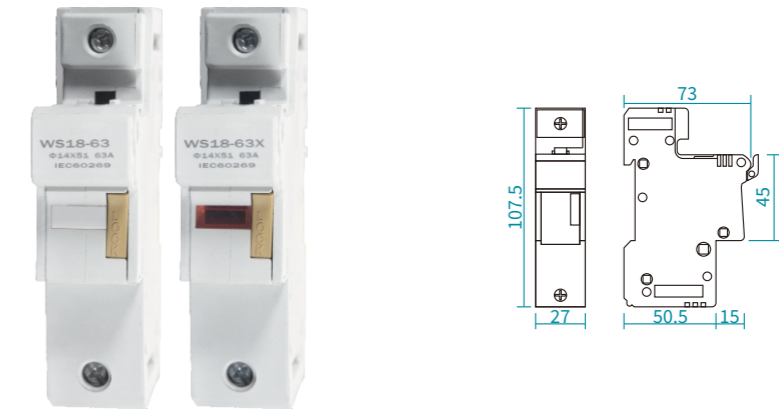
Part No	Description	Fuse Size	Max Rated Current	U(v)	Number of Poles	Max Power Dissipation
WS18-32	Single Pole/32A Rail Mount Fuse Holder Without Fuse	10x38mm	32A	690V AC	1P-4P	4W
WS18-32X	Single Pole/32A Rail Mount Fuse Holder Without Fuse	10x38mm	32A	690V AC	1P-4P	4W



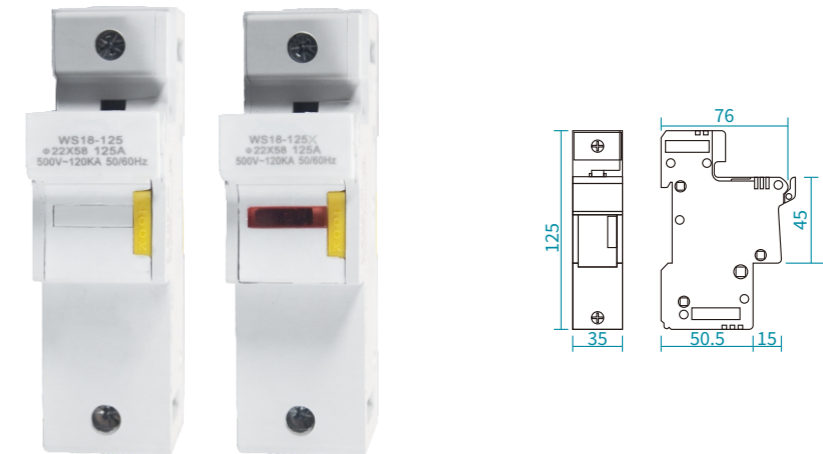
Part No	Description	Fuse Size	Max Rated Current	U(v)	Rated Power Dissipation	Max Power Dissipation
WS18-32N	Single Pole/32A Rail Mount Fuse Holder Without Fuse	10x38mm	32A	690V AC	3W	4W
WS18-32NX	Single Pole/32A Rail Mount Fuse Holder Without Fuse	10x38mm	32A	690V AC	3W	4W



Part No	Description	Fuse Size	Max Rated Current	U(v)	Number of Poles	Max Power Dissipation
WSH-32	Single Pole/32A Rail Mount Fuse Holder Without Fuse	10x38mm	32A	660V AC	1P-4P	4W
WSH-32X	Single Pole/32A Rail Mount Fuse Holder Without Fuse	10x38mm	32A	660V AC	1P-4P	4W



Part No	Description	Fuse Size	Max Rated Current	U(v)	Number of Poles	Max Power Dissipation
WS18-63	Single Pole/63A Rail Mount Fuse Holder Without Fuse	10x38mm	63A	690V AC	1P-4P	4W
WS18-63X	Single Pole/63A Rail Mount Fuse Holder Without Fuse	10x38mm	63A	690V AC	1P-4P	4W

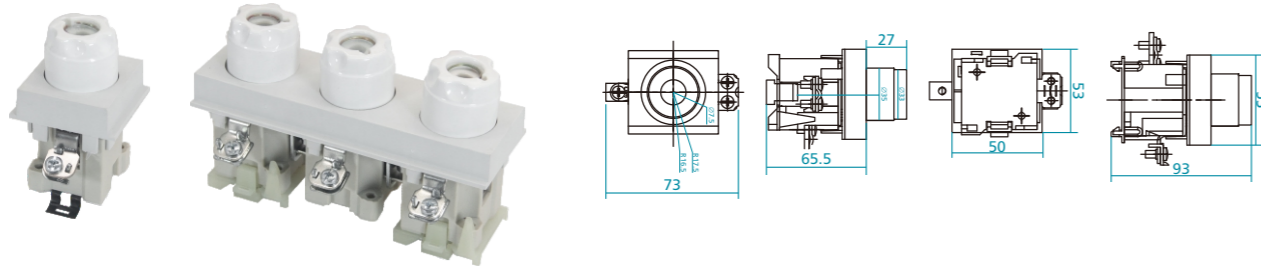


Part No	Description	Fuse Size	Max Rated Current	U(v)	Number of Poles	Max Power Dissipation
WS18-125	Single Pole/125A Rail Mount Fuse Holder Without Fuse	22X58mm	125A	690V AC	1P-4P	12W
WS18-125X	Single Pole/125A Rail Mount Fuse Holder Without Fuse	22X58mm	125A	690V AC	1P-4P	12W

G2 Fuse Holder

Design Features

The upper cover material of G2/G3 is nylon 66, and the seat material is high-frequency porcelain. H62 copper bars are connected together to form a 1P-9P product. The clamping rail plastic is nylon 46, making it more resilient. This series of fuses is suitable for AC 50Hz, rated voltage up to 690V, rated current up to 63A. It complies with the standard IEC60269.

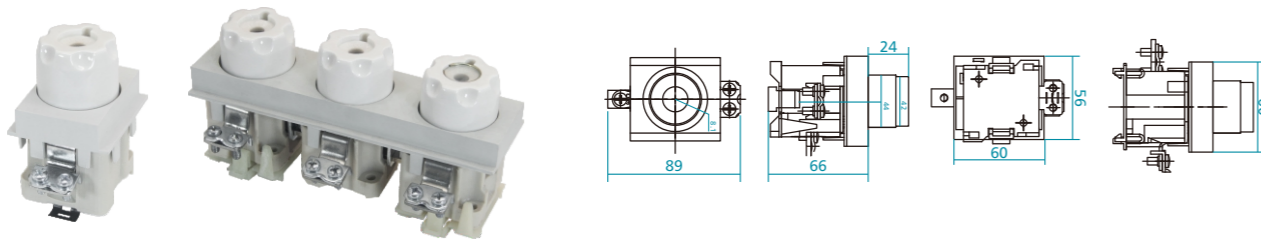


Part No	Description	Fuse Size	Max Rated Current	U(v)
G2-1P	1 Pole 25A Fuse Holder without Fuse	D02	25A	500V
G2-2P	2 Pole 25A Fuse Holder without Fuse	D02	25A	500V
G2-3P	3 Pole 25A Fuse Holder without Fuse	D02	25A	500V
G2-4P	4 Pole 25A Fuse Holder without Fuse	D02	25A	500V
G2-5P	5 Pole 25A Fuse Holder without Fuse	D02	25A	500V
G2-6P	6 Pole 25A Fuse Holder without Fuse	D02	25A	500V
G2-7P	7 Pole 25A Fuse Holder without Fuse	D02	25A	500V
G2-8P	8 Pole 25A Fuse Holder without Fuse	D02	25A	500V
G2-9P	9 Pole 25A Fuse Holder without Fuse	D02	25A	500V

G3 Fuse Holder

Design Features

The upper cover material of G2/G3 is nylon 66, and the seat material is high-frequency porcelain. H62 copper bars are connected together to form a 1P-9P product. The clamping rail plastic is nylon 46, making it more resilient. This series of fuses is suitable for AC 50Hz, rated voltage up to 690V, rated current up to 63A. It complies with the standard IEC60269.



Part No	Description	Fuse Size	Max Rated Current	U(v)
G3-1P	1 Pole 63A Fuse Holder without Fuse	D03	63A	690V
G3-2P	2 Pole 63A Fuse Holder without Fuse	D03	63A	690V
G3-3P	3 Pole 63A Fuse Holder without Fuse	D03	63A	690V
G3-4P	4 Pole 63A Fuse Holder without Fuse	D03	63A	690V
G3-5P	5 Pole 63A Fuse Holder without Fuse	D03	63A	690V
G3-6P	6 Pole 63A Fuse Holder without Fuse	D03	63A	690V
G3-7P	7 Pole 63A Fuse Holder without Fuse	D03	63A	690V
G3-8P	8 Pole 63A Fuse Holder without Fuse	D03	63A	690V
G3-9P	9 Pole 63A Fuse Holder without Fuse	D03	63A	690V

Cylindrical Fuse link

Design Features

Cylindrical fuse links gG class for use as general protection against overloads and short circuits, intended as protection of cables, power lines and equipment. Made of ceramic tube with high withstand to internal pressure and thermal shock, that allow a high breaking capacity in a reduced physical space. They comply with IEC/ EN 60269.



Part No	Description	Function Class	U(v)	Breaking Capacity (kA)
FU2A08	2A 8.5*23 Fuse Link	gG/gL/aM/aR	230V	100KA
FU4A08	4A 8.5*23 Fuse Link	gG/gL/aM/aR	230V	100KA
FU6A08	6A 8.5*23 Fuse Link	gG/gL/aM/aR	230V	100KA
FU8A08	8A 8.5*23 Fuse Link	gG/gL/aM/aR	230V	100KA
FU10A08	10A 8.5*23 Fuse Link	gG/gL/aM/aR	230V	100KA
FU16A08	16A 8.5*23 Fuse Link	gG/gL/aM/aR	230V	100KA



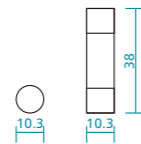
Part No	Description	Function Class	U(v)	Breaking Capacity (kA)
FU2A08L	2A 8.5*31.5 Fuse Link	gG/gL/aM/aR	400V	100KA
FU4A08L	4A 8.5*31.5 Fuse Link	gG/gL/aM/aR	400V	100KA
FU6A08L	6A 8.5*31.5 Fuse Link	gG/gL/aM/aR	400V	100KA
FU8A08L	8A 8.5*31.5 Fuse Link	gG/gL/aM/aR	400V	100KA
FU10A08L	10A 8.5*31.5 Fuse Link	gG/gL/aM/aR	400V	100KA
FU16A08L	16A 8.5*31.5 Fuse Link	gG/gL/aM/aR	400V	100KA
FU20A08L	20A 8.5*31.5 Fuse Link	gG/gL/aM/aR	400V	100KA
FU25A08L	25A 8.5*31.5 Fuse Link	gG/gL/aM/aR	400V	100KA



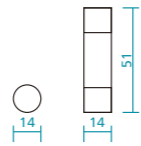
Part No	Description	Function Class	U(v)	Breaking Capacity (kA)
FU2A10S	2A 10.3*25.8 Fuse Link	gG/gL/aM/aR	230V	100KA
FU4A10S	4A 10.3*25.8 Fuse Link	gG/gL/aM/aR	230V	100KA
FU6A10S	6A 10.3*25.8 Fuse Link	gG/gL/aM/aR	230V	100KA
FU8A10S	8A 10.3*25.8 Fuse Link	gG/gL/aM/aR	230V	100KA
FU10A10S	10A 10.3*25.8 Fuse Link	gG/gL/aM/aR	230V	100KA
FU16A10S	16A 10.3*25.8 Fuse Link	gG/gL/aM/aR	230V	100KA
FU20A10S	20A 10.3*25.8 Fuse Link	gG/gL/aM/aR	230V	100KA



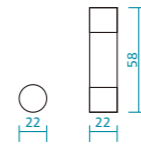
Part No	Description	Function Class	U(v)	Breaking Capacity (kA)
FU2A10L	2A 10.3*31.5 Fuse Link	gG/gL/aM/aR	400V	100KA
FU4A10L	4A 10.3*31.5 Fuse Link	gG/gL/aM/aR	400V	100KA
FU6A10L	6A 10.3*31.5 Fuse Link	gG/gL/aM/aR	400V	100KA
FU8A10L	8A 10.3*31.5 Fuse Link	gG/gL/aM/aR	400V	100KA
FU10A10L	10A 10.3*31.5 Fuse Link	gG/gL/aM/aR	400V	100KA
FU16A10L	16A 10.3*31.5 Fuse Link	gG/gL/aM/aR	400V	100KA
FU20A10L	20A 10.3*31.5 Fuse Link	gG/gL/aM/aR	400V	100KA
FU25A10L	25A 10.3*31.5 Fuse Link	gG/gL/aM/aR	400V	100KA



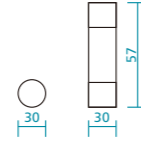
Part No	Description	Function Class	U(v)	Breaking Capacity (kA)
FU2A10	2A 10.3*38 Fuse Link	gG/gL/aM/aR	500V	100KA
FU4A10	4A 10.3*38 Fuse Link	gG/gL/aM/aR	500V	100KA
FU6A10	6A 10.3*38 Fuse Link	gG/gL/aM/aR	500V	100KA
FU8A10	8A 10.3*38 Fuse Link	gG/gL/aM/aR	500V	100KA
FU10A10	10A 10.3*38 Fuse Link	gG/gL/aM/aR	500V	100KA
FU16A10	16A 10.3*38 Fuse Link	gG/gL/aM/aR	500V	100KA
FU20A10	20A 10.3*38 Fuse Link	gG/gL/aM/aR	500V	100KA
FU25A10	25A 10.3*38 Fuse Link	gG/gL/aM/aR	500V	100KA
FU32A10	32A 10.3*38 Fuse Link	gG/gL/aM/aR	500V	100KA



Part No	Description	Function Class	U(v)	Breaking Capacity (kA)
FU10A14	10A 14*51 Fuse Link	gG/gL/aM/aR	500V	120KA
FU16A14	16A 14*51 Fuse Link	gG/gL/aM/aR	500V	120KA
FU20A14	20A 14*51 Fuse Link	gG/gL/aM/aR	500V	120KA
FU25A14	25A 14*51 Fuse Link	gG/gL/aM/aR	500V	120KA
FU32A14	32A 14*51 Fuse Link	gG/gL/aM/aR	500V	120KA
FU40A14	40A 14*51 Fuse Link	gG/gL/aM/aR	500V	120KA
FU50A14	50A 14*51 Fuse Link	gG/gL/aM/aR	500V	120KA
FU63A14	63A 14*51 Fuse Link	gG/gL/aM/aR	500V	120KA



Part No	Description	Function Class	U(v)	Breaking Capacity (kA)
FU25A22	25A 22*58 Fuse Link	gG/gL/aM/aR	500V	120KA
FU32A22	32A 22*58 Fuse Link	gG/gL/aM/aR	500V	120KA
FU40A22	40A 22*58 Fuse Link	gG/gL/aM/aR	500V	120KA
FU50A22	50A 22*58 Fuse Link	gG/gL/aM/aR	500V	120KA
FU63A22	63A 22*58 Fuse Link	gG/gL/aM/aR	500V	120KA
FU80A22	80A 22*58 Fuse Link	gG/gL/aM/aR	500V	120KA
FU100A22	100A 22*58 Fuse Link	gG/gL/aM/aR	500V	120KA



Part No	Description	Function Class	U(v)	Breaking Capacity (kA)
FU25A30	25A 30*57 Fuse Link	gG/gL/aM/aR	500V	120KA
FU32A30	32A 30*57 Fuse Link	gG/gL/aM/aR	500V	120KA
FU40A30	40A 30*57 Fuse Link	gG/gL/aM/aR	500V	120KA
FU50A30	50A 30*57 Fuse Link	gG/gL/aM/aR	500V	120KA
FU63A30	63A 30*57 Fuse Link	gG/gL/aM/aR	500V	120KA
FU80A30	80A 30*57 Fuse Link	gG/gL/aM/aR	500V	120KA
FU100A30	100A 30*57 Fuse Link	gG/gL/aM/aR	500V	120KA
FU125A30	125A 30*57 Fuse Link	gG/gL/aM/aR	500V	120KA

NT00 Fuse Link

Design Features

- Rated voltage:500/690V
- Breaking capability:500V-120KA,660V-50KA
- Function grade:gG/gL/gtr/aM/gM



Part No	Description	Max Rated Current	U(v)	A	B	C	D	H	F
NT00C	4A-100A Fuse Link	120KA	500/660V	78	49	15	21	47.5	6
NT00	4A-160A Fuse Link	120KA	500/660V	78	49	15	29	57	6
NT0	16A-160A Fuse Link	120KA	500/660V	124.5	65	15	29	56	6
NT1	25A-250A Fuse Link	120KA	500/660V	135	67	20	48	62	6
NT2	125A-400A Fuse Link	120KA	500/660V	150	67	25	58	71	6
NT3	250A-630A Fuse Link	120KA	500/660V	150	67	32	66.5	85	6
NT4	800A-1250A Fuse Link	120KA	500/660V	200	80	51	85	112	8

Nt00 Fuse Base

Design Features

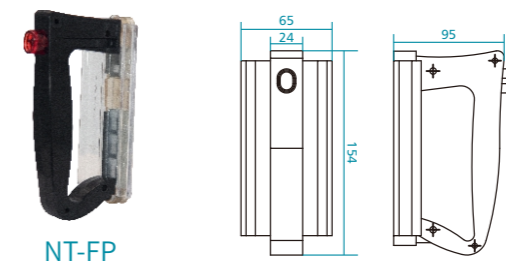
- Rated voltage:500/690V
- Breaking capability:500V-120KA,660V-50KA
- Function grade:gG/gL/gtr/aM/gM



Part No	Description	Max Rated Current	U(v)	A	B	C	D	H	F
NT00	sisit101 160A Fuse Base	120KA	500/660V	23	60	25	100	120	7
NT0	sisit160 160A Fuse Base	120KA	500/660V	35	73	25	150	170	7
NT1	sisit201 250A Fuse Base	120KA	500/660V	38	82	25	175	200	9.5
NT2	sisit401 400A Fuse Base	120KA	500/660V	40	100	25	200	225	9.5
NT3	sisit601 630A Fuse Base	120KA	500/660V	40.5	105	25	216	240	9.5
NT4	sisit1001 1250A Fuse Base	120KA	500/660V	44	145	25	260	304	13

NT Fuse Puller

Design Features



0.5 ROTARY ISOLATOR

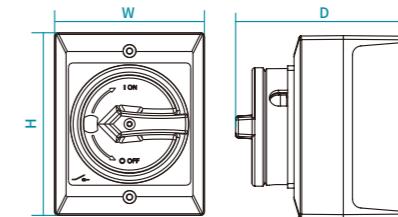


Weatherproof Rotary Isolator Switch

Design Features

The LAIWO weatherproof rotary isolator switch range is manufactured from tough, durable thermoplastic for outdoor switching protection. Designed with safety in mind, the interlocked front covers can only be removed when in OFF position. Lockable switch prevents tampering.

- IP Rating Ip65
- Conforms To BS-EN 60947-3
- Tough durable thermoplastic construction
- Interlock front cover can only be removed when in the off position
- Operating Voltage:230V AC
- Switch can be removed from DIN rail assembly allowing quick and easy first fix
- Cable entry knockouts on enclosures



Part No	Description	Box Qty	W	H	D
WRI316	3Pole 16A	30	100	140	100
WRI320	3Pole 20A	30	100	140	100
WRI325	3Pole 25A	30	100	140	100
WRI332	3Pole 32A	20	121	175	123
WRI340	3Pole 40A	20	121	175	123
WRI363	3Pole 63A	10	160	240	138
WRI3100	3Pole 100A	30	100	140	100
WRI416	4Pole 16A	40	82	100	98
WRI420	4Pole 20A	30	100	140	100
WRI425	4Pole 25A	30	100	140	100
WRI432	4Pole 32A	20	121	175	123
WRI440	4Pole 40A	20	121	175	123
WRI463	4Pole 63A	10	160	240	138
WRI4100	4Pole 100A	30	100	140	100

Fused Main Switch

Design Features

- Manufactured from non combustible bakelite material
- Supplied c/w cable shroud
- Supplied c/w 80Amps & 100Amps fuses- gG general purpose fuse for conductor protection
- Can accommodate a maximum cable capacity of 35mm²
- Can only be removed when in the OFF position
- 100Amps/AC21
- Ideal for the protection & isolation of incoming supplies up to 100A
- Manufactured to BS EN 60947-3



Part No	Description	Box Qty
WLFIS100	100A Switch fuse c/w 80 & 100A fuse and shroud	30

Metal Switch Fuse

Design Features

- Fully enclosure Non combustible steel body, complies with BSEN 61439-3
- Retained cover closure screw
- 32mm Diameter standard Knock-out on the top and bottom
- With seal facility on terminal screw cover preventing accidental contact
- LIVE and Neutral cable capacity 16mm² min and 35mm² Max
- Fuse Switch complies with BSEN60947-3
- Supplied c/w 80Amps fuse-gG general purpose fuse for conductor protection
- 100Amps fuse is a separate purchase



Part No	Description	Box Qty	W	H	D
WMSFU100	Metal Main Switch fuse c/w 80&100A fuse	6	178	303	108

06

DC Products



Solar Consumer Unit

Design Features

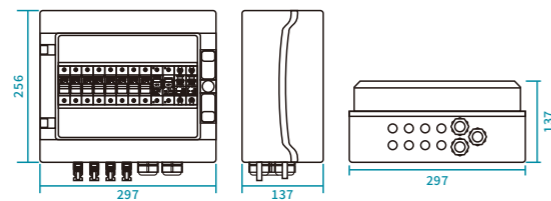
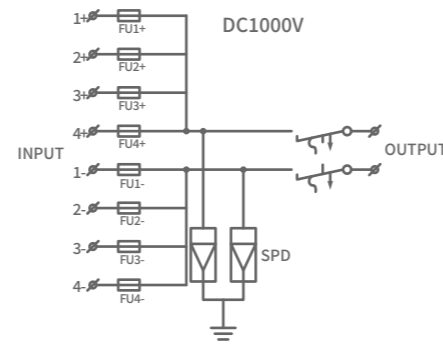
IP65 design, waterproof, anti dust and anti ultraviolet.
 Strict test for high and low temperature, used widely.
 Flexible connection and simple installation.
 The simplified system wiring.

Function

- DC Fuse Both Protection Of Positive And Negative Poles
- DC Circuit Breaker For Isolating Circuits And Maintenance
- DC 1000V Surge Protector
- Method A: Solar Connector Wiring (Replaceable + and -)
- Method B: Direct Wiring With Fuse

Configuration List

- Fitted with 10x38 15A Photovoltaic Fuse
- Fitted with 32A 1000VDC Photovoltaic Fuse Holder with light
- Fitted with 2P 63A DC1000V Circuit Breaker
- Fitted with 2P/20-40KA DC 1000V Surge Protector
- Fitted with 1000VDC Photovoltaic Gland Connector

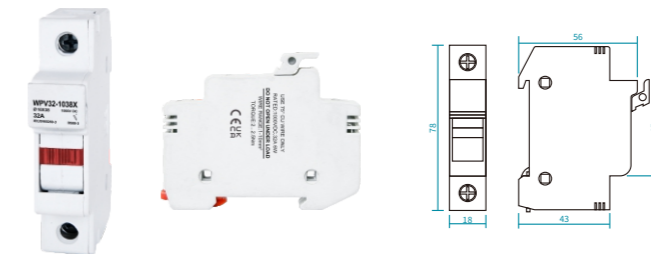


Part No	Description	Box Qty
WENC08-PV2/1	8 way solar consumer unit DC1000V ,2 input 1 output	6
WENC12-PV4/1	12 way solar consumer unit DC1000V ,4 input 1 output	4
WENC18-PV7/1	18 way solar consumer unit DC1000V ,7 input 1 output	2
WENC24-PV10/1	24 way solar consumer unit DC1000V 10 input 1 output	2

Photovoltaic Fuse Holder

Design Features

- Rated Voltage: DC1000V
- Rated Current: 32A
- Standard: IEC/EN60269-3, BS88-3



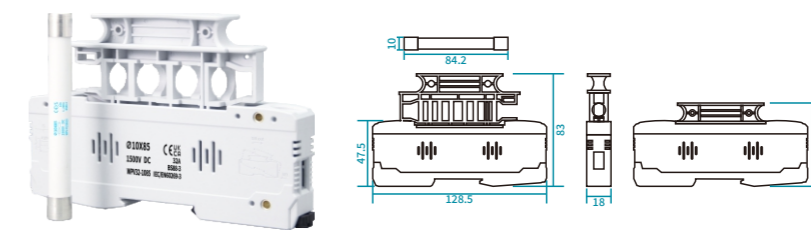
Part No	Description	Fuse Size	Max Rated Current	Function Class
WPV32-1038X	32A 1000VDC Photovoltaic Fuse Holder with light Without Fuse	10X38	32A	gPV

Photovoltaic Fuse Holder

Design Features

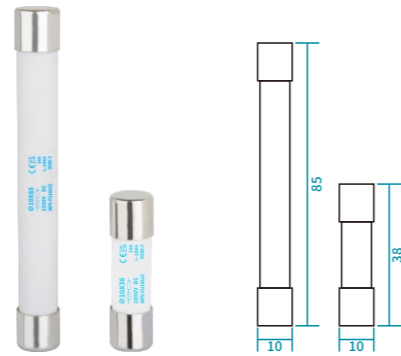
The Photovoltaic Fuse Holder is used in the photovoltaic combiner box to provide safe and reliable protection for overload and short-circuit current faults of PV modules and PV arrays.

- Rated Voltage: DC1500V
- Rated Current: 32A
- Standard: IEC/EN60269-3, BS88-3



Part No	Description	Fuse Size	Max Rated Current	Function Class
WPV32-1085	32A 1500VDC Photovoltaic Fuse Holder Without Fuse	10X85	32A	gPV

Photovoltaic Fuse



10X38 1000VDC Photovoltaic Fuse

Part No	Description	Function Class	Breaking Capacity(kA)
WPV-FU2A10	2A 10x38 1000vDC Photovoltaic Fuse	gPV	20
WPV-FU4A10	4A10x381000VDC Photovoltaic Fuse	gPV	20
WPV-FU6A10	6A 10x381000VDC Photovoltaic Fuse	gPV	20
WPV-FU8A10	8A10x381000VDC Photovoltaic Fuse	gPV	20
WPV-FU10A10	10A 10x381000VDC Photovoltaic Fuse	gPV	20
WPV-FU12A10	12A10x381000VDC Photovoltaic Fuse	gPV	20
WPV-FU15A10	15A 10x381000VDC Photovoltaic Fuse	gPV	20
WPV-FU16A10	16A10x381000VDC Photovoltaic Fuse	gPV	20
WPV-FU20A10	20A10x381000VDC Photovoltaic Fuse	gPV	20
WPV-FU25A10	25A10x381000VDC Photovoltaic Fuse	gPV	20
WPV-FU30A10	30A 10x381000VDC Photovoltaic Fuse3	gPV	20
WPV-FU32A10	2A10x381000VDC Photovoltaic Fuse	gPV	20

10X85 1500VDC Photovoltaic Fuse

Part No	Description	Function Class	Breaking Capacity(kA)
WPV-FU2A15	2A 10x85 1500VDC Photovoltaic Fuse	gPV	20
WPV-FU4A15	4A 10x85 1500VDC Photovoltaic Fuse	gPV	20
WPV-FU6A15	6A 10x851500VDC Photovoltaic Fuse	gPV	20
WPV-FU8A15	8A 10x851500VDC Photovoltaic Fuse	gPV	20
WPV-FU10A15	10A 10x85 1500VDC Photovoltaic Fuse	gPV	20
WPV-FU12A15	12A 10x85 1500VDC Photovoltaic Fuse	gPV	20
WPV-FU16A15	16A 10x85 1500VDC Photovoltaic Fuse	gPV	20
WPV-FU20A15	20A 10x851500VDC Photovoltaic Fuse	gPV	20
WPV-FU25A15	25A 10x851500VDC Photovoltaic Fuse	gPV	20
WPV-FU32A15	32A 10x851500VDC Photovoltaic Fuse	gPV	20

DC Surge Protection Device

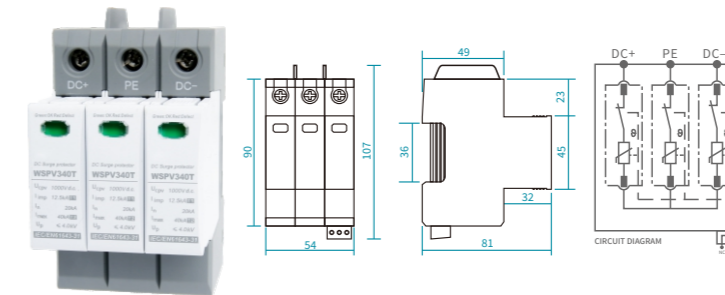
Design Features

Developed in line with recent advancements, the DC SPD 1000V series of surge arresters are designed to have a continuous maximum operating voltage of 1000V. The surge arresters are packed with high-pressure sensors to detect failures and are made from high-quality materials that prevent damage from weather. They comply with BS EN61643-31.

- Type 1+2 DC SPD solar photovoltaic application
- IEC /EN61643-31
- Thermal disconnect for fault indication
- Plug-in Protection Module, Easily Installation and Maintenance
- High Energy Varistor, Response Time Less Than 25Nanosecond
- Optional Remote Signalling

Type 1+2 DC Surge Protection Device

- Open Voltage (Uoc Max) :600VDC,1000VDC,1500VDC
- Type:Type1+2
- Lightning pulse current (Iimp):12.5kA
- Max Continuous Operational Voltage (Uc) :1300VDC
- Nominal discharge current (In):20kA
- Maximum discharge current(I_{max}):40kA
- Voltage protection level (Up): ≤4.0kV
- Protection degree:IP20
- Ambient Temperature: -40°C~+80°C
- Number of Poles:2Poles,3Poles



Part No	Description	Box Qty
WSPV340T	3Pole 20KA/40KA Type1 DC Surge Protection Device Up To 1000V	32

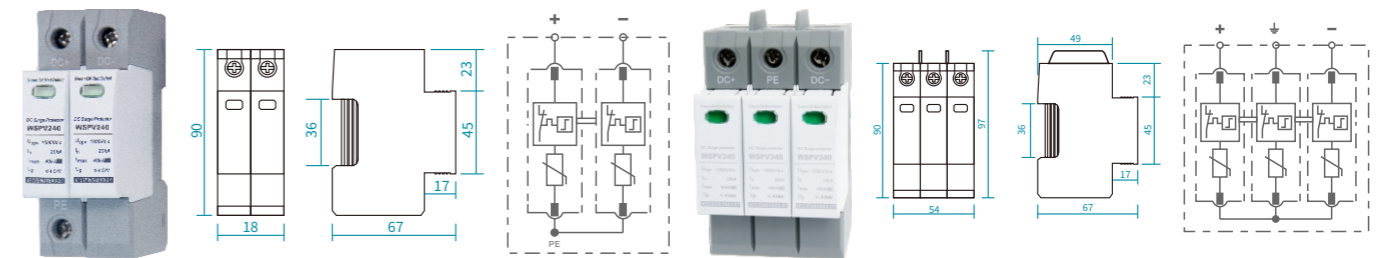
Design Features

Developed in line with recent advancements, the DC SPD 1000V series of surge arresters are designed to have a continuous maximum operating voltage of 1000V. The surge arresters are packed with high-pressure sensors to detect failures and are made from high-quality materials that prevent damage from weather. They comply with BS EN61643-31.

- Type 2 DC SPD solar photovoltaic application
- According to IEC /EN61643-31
- Thermal disconnect for fault indication
- Plug-in Protection Module, Easily Installation and Maintenance
- High Energy Varistor, Response Time Less Than 25Nanosecond
- Optional Remote Signalling

Type 2 DC Surge Protection Device

- Open Voltage (Uoc Max) :600VDC,1000VDC,1500VDC
- Type:Type2
- Max Continuous Operational Voltage (Uc) :1300VDC
- Nominal discharge current (In):20kA
- Maximum discharge current(I_{max}):40kA
- Voltage protection level (Up): ≤4.0kV
- Protection degree:IP20
- Ambient Temperature: -40°C~+80°C
- Number of Poles:2Poles,3Poles



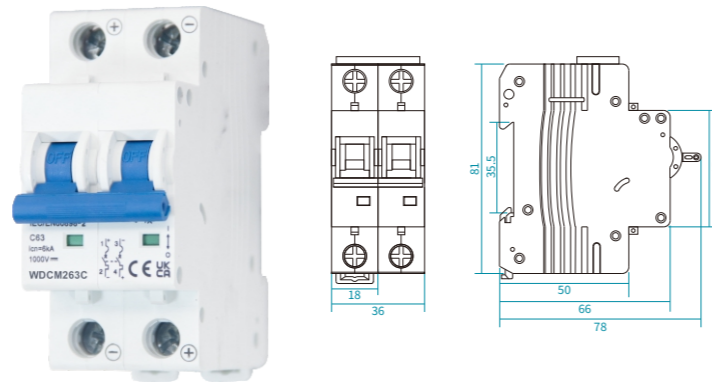
Part No	Description	Box Qty
WSPV240	2Pole 20KA/40KA Type2 DC Surge Protection Device Up To 1000V	48
WSPV340	3Pole 20KA/40KA Type2 DC Surge Protection Device Up To 1000V	24

DC Miniature Circuit Breakers

Design Features

2Pole 6kA DC Miniature Circuit Breakers

- Rated current In (A) :6,10,16,20,25,32,40,50,63
- Rated voltage Ue(DC): 1000V(2P)
- Rated breaking capacity(A): 6kA
- Thermo-magnetic release characteristic: C
- Contact position degree: IP20
- IEC/EN60898-2



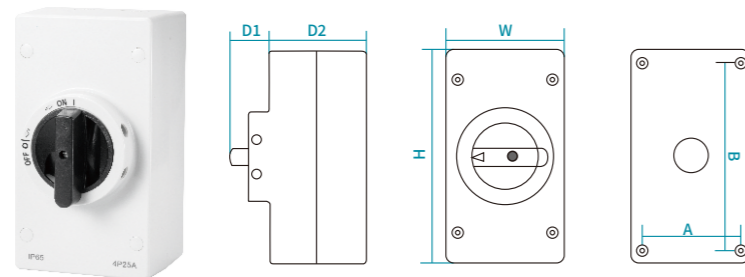
Part No	Description	Box Qty
WDCM206C	2Pole 6Amps C Curve 6kA DC MCB	60
WDCM210C	2Pole 10Amps C Curve 6kA DC MCB	60
WDCM216C	2Pole 16Amps C Curve 6kA DC MCB	60
WDCM220C	2Pole 20Amps C Curve 6kA DC MCB	60
WDCM225C	2Pole 25Amps C Curve 6kA DC MCB	60
WDCM232C	2Pole 32Amps C Curve 6kA DC MCB	60
WDCM240C	2Pole 40Amps C Curve 6kA DC MCB	60
WDCM250C	2Pole 50Amps C Curve 6kA DC MCB	60
WDCM263C	2Pole 63Amps C Curve 6kA DC MCB	60

DC Rotary Isolator

Design Features

The DC rotary isolator switch range is manufactured from tough, durable thermoplastic. all rated for installation and use as switch-disconnectors and all with options allowing for "lockable off" operation.

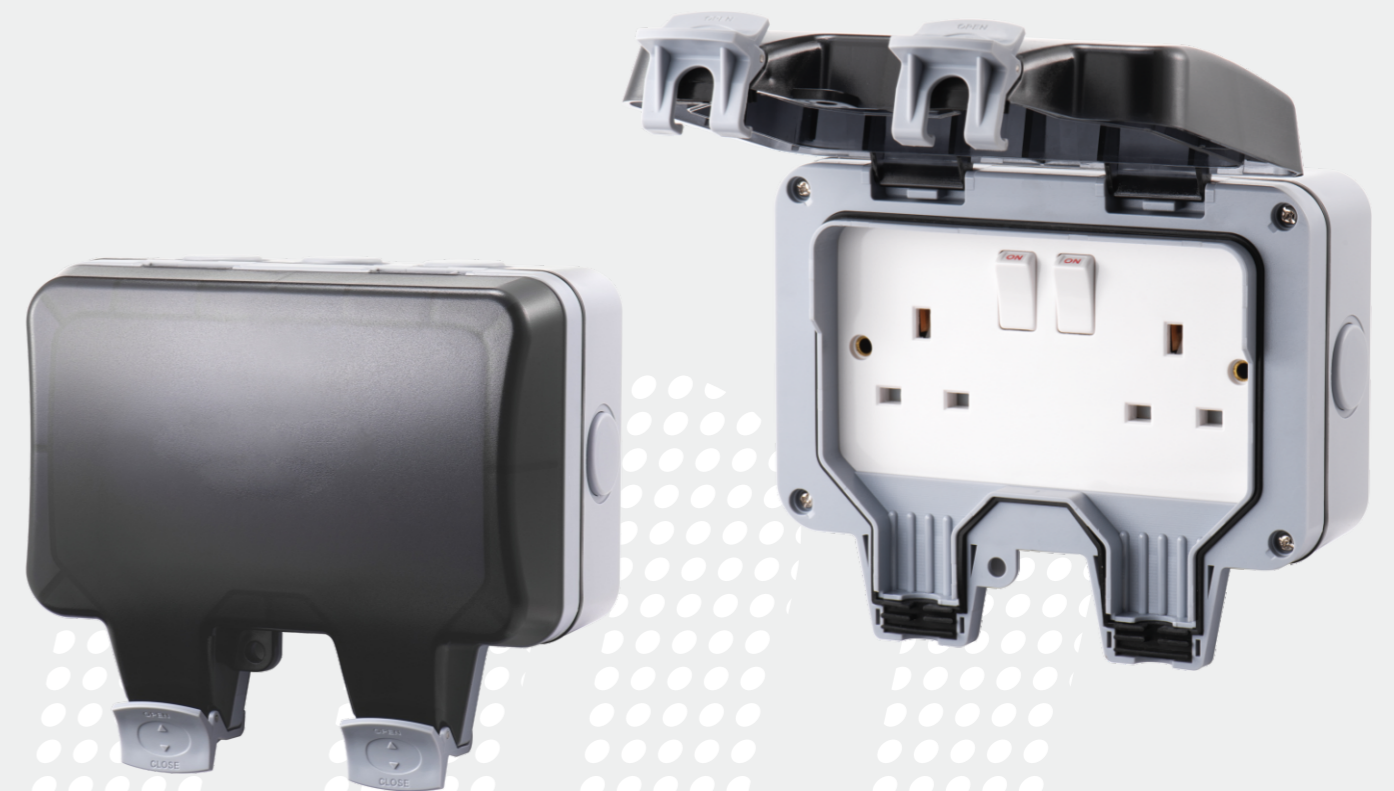
- IP Rating IP65
- Tough durable thermoplastic construction
- Interlock front cover can only be removed when in the OFF position
- Manufactured to BS EN 60947-3
- Operating Voltage: 600V/1000V DC
- Cable entry knockout on enclosures



Part No	Description	Box Qty	W	H	D1	D2	A	B
WRI16DC	4 Pole 16A DC Rotary Isolator	20	100	180	114	81	84	158
WRI20DC	4 Pole 20A DC Rotary Isolator	20	100	180	114	81	84	158
WRI25DC	4 Pole 25A DC Rotary Isolator	20	100	180	114	81	84	158
WRI32DC	4 Pole 32A DC Rotary Isolator	20	100	180	114	81	84	158

07

SWITCH AND SOCKET

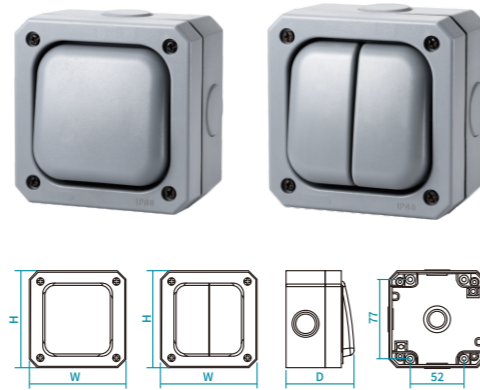


20Amp Weatherproof Switch

Design Features

The Weatherproof Switch range comprises a robust polycarbonate enclosure incorporating a 1 or 2 gang Grid Switch Module arrangement. It provides a convenient & safe wall-mounted control for outdoor equipment such as lighting, garden pond pumps, etc up to 20A current rating.

- Weatherproof and dust-tight 20A Switch
- Configurable Neon indicator
- Multiple Gland entry positions
- Ideal for garden workshop & commercial applications
- IP66 Water and dust protection
- Robust polycarbonate housing
- Ergonomic large switch
- Complies with BS EN60669-1



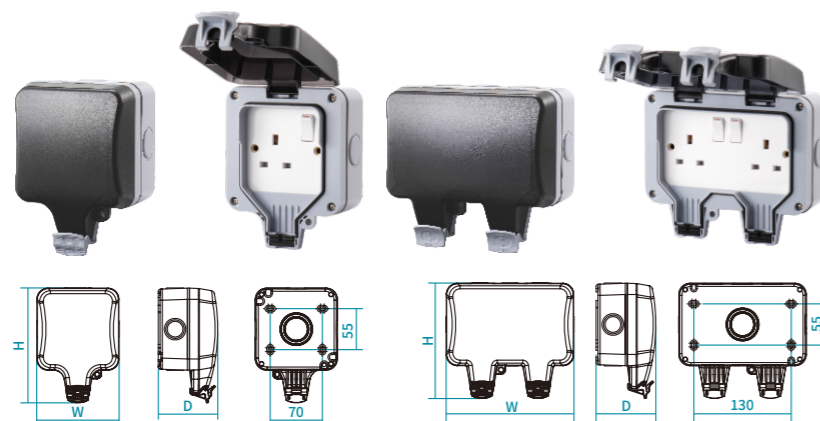
Part No	Description	Box Qty	W	H	D
WP1G2W	Weatherproof 20A 1Gang 2 Way Switch	20	95	95	67
WP2G2W	Weatherproof 20A 2Gang 2 Way Switch	20	95	95	67
WP1GRP	Weatherproof 20A 1 Gang 2 Way retractive	20	95	95	67

13Amps Weatherproof Socket Ip66

Design Features

The Weatherproof Socket range comprises a robust polycarbonate enclosure with durable integrated 1 or 2 gang Switched Sockets. It provides a convenient & safe wall-mounted power point for outdoor equipment such as DIY & garden tools.

- IP66 Water and dust protection
- Secure & Easy to open lid-catch
- Complies with Bs1363
- Robust polycarbonate housing
- All cable entries in the 4 sides have removable blanking caps



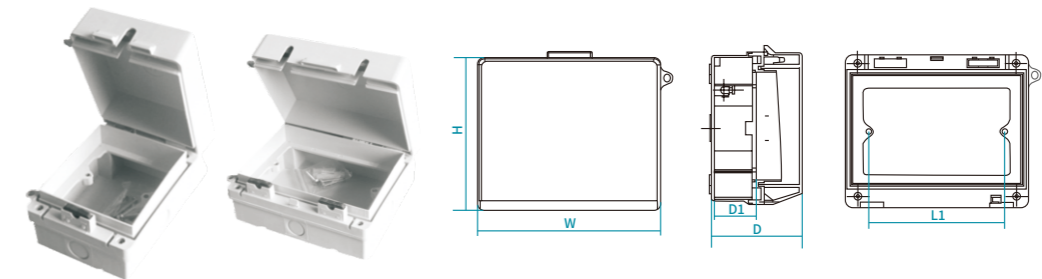
Part No	Description	Box Qty	W	H	D
WP1G13A	Weatherproof 13A 1Gang Switched Socket	30	111	154	80
WP2G13A	Weatherproof 13A 2Gang Switched Socket	20	171	154	80

IP 65 Socket Box

Design Features

The IP 65 Socket Box range can be fit a large 1 gang or 2 gang socket, they offer dust ingress protection, and is protected against low pressure water jets from any direction, is the ideal solution for both outdoor and indoor environments, where a good degree of ingress protection is required.

In addition to its ease of installation, the range is aesthetically pleasing with an unobtrusive, modern and compact design. It is CE certified and is made from flame retardant ABS.



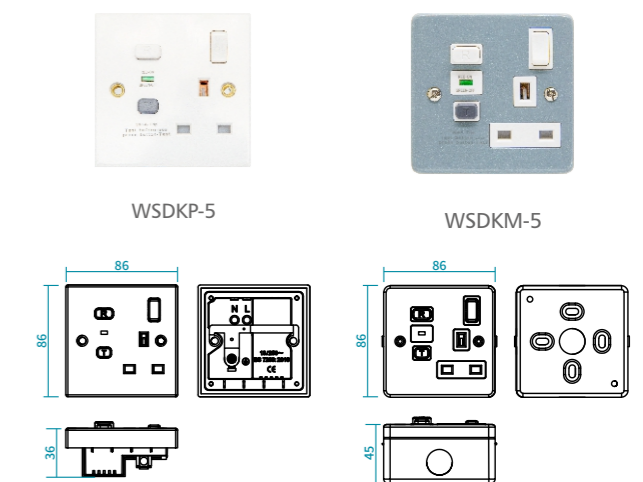
Part No	Description	Box Qty	W	H	L1	D	D1
WPE1G	Ip65 Weatherproof Enclosure 1Gang	45	101	135	60	80.5	36.5
WPE2G	IP65 Weatherproof Enclosure 2Gang	30	162	135	120	80.5	36.5

1gang Switched RCD Socket

Design Features

This LAIWO white RCD protected sockets range are protected by a 30mA RCD trip and is suitable to replace any standard 1 or 2 gang socket. We offer weatherproof socket enclosure range especially for white RCD socket when using equipment plugged into this socket such as Lawnmowers and other outdoor equipment. It complies with all relevant EN specifications and is CE certified.

- Rated Voltage: AC220-250V/50Hz
- Maximum current: 13A
- Rated tripping current: 30mA
- Rated tripping time: 40ms
- Operating Model: Latching/Passive
- Tripping type: Type A
- Standard: BS7288:2016



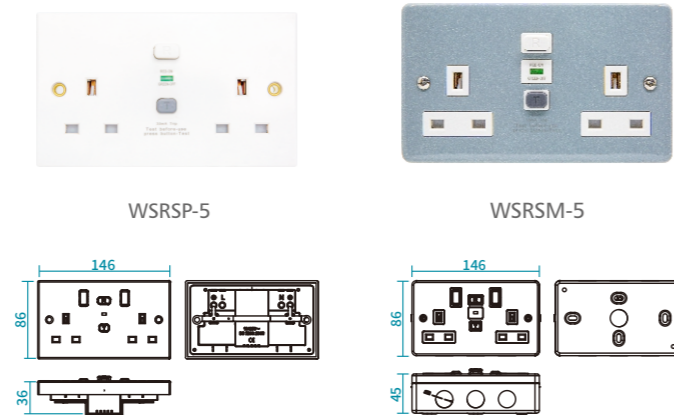
Part No	Description	Box Qty
WSDKP-5	1Gang Switched RCD Protected Socket White	60
WSDKM-5	1Gang Switched RCD Protected Socket Metal Clad	40

2gang Unswitched RCD Socket

Design Features

This LAIWO white RCD protected sockets range are protected by a 30mA RCD trip and is suitable to replace any standard 1 or 2 gang socket. We offer weatherproof socket enclosure range especially for white RCD socket when using equipment plugged into this socket such as Lawnmowers and other outdoor equipment. It complies with all relevant EN specifications and is CE certified.

- Rated Voltage: AC220-250V/50Hz
- Maximum current: 13A
- Rated tripping current: 30mA
- Rated tripping time: 40mS
- Operating Model: Latching/Passive
- Tripping type: Type A
- Standard: BS7288:2016



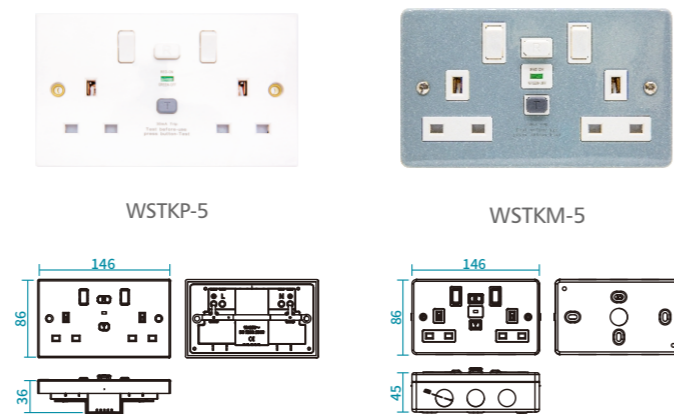
Part No	Description	Box Qty
WSRSP-5	2Gang Unswitched RCD Protected Socket White	40
WSRSM-5	2Gang Unswitched RCD Protected Socket Metal Clad	30

2gang Switched RCD Socket

Design Features

This LAIWO white RCD protected sockets range are protected by a 30mA RCD trip and is suitable to replace any standard 1 or 2 gang socket. We offer weatherproof socket enclosure range especially for white RCD socket when using equipment plugged into this socket such as Lawnmowers and other outdoor equipment. It complies with all relevant EN specifications and is CE certified.

- Rated Voltage: AC220-250V/50Hz
- Maximum current: 13A
- Rated tripping current: 30mA
- Rated tripping time: 40mS
- Operating Model: Latching/Passive
- Tripping type: Type A
- Standard: BS7288:2016



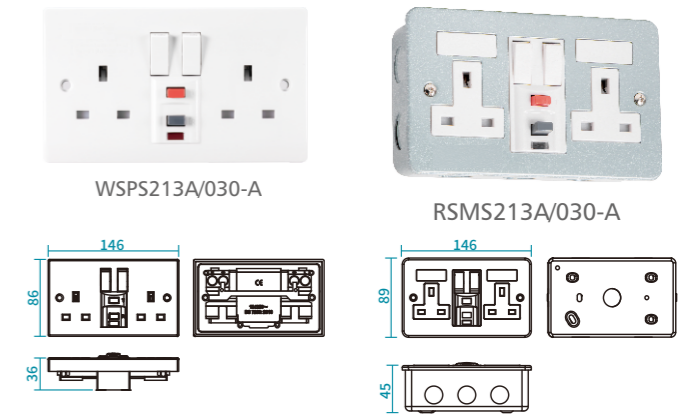
Part No	Description	Box Qty
WSTKP-5	2Gang Switched RCD Protected Socket White	40
WSTKM-5	2Gang Switched RCD Protected Socket Metal Clad	32

2gang Switched RCD Socket

Design Features

This LAIWO white RCD protected sockets range are protected by a 30mA RCD trip and is suitable to replace any standard 1 or 2 gang socket. We offer weatherproof socket enclosure range especially for white RCD socket when using equipment plugged into this socket such as Lawnmowers and other outdoor equipment. It complies with all relevant EN specifications and is CE certified.

- Rated Voltage: AC220-250V/50Hz
- Maximum current: 13A
- Rated tripping current: 30mA
- Rated tripping time: 40mS
- Operating Model: Latching/Passive
- Tripping type: Type A
- Standard: BS7288:2016



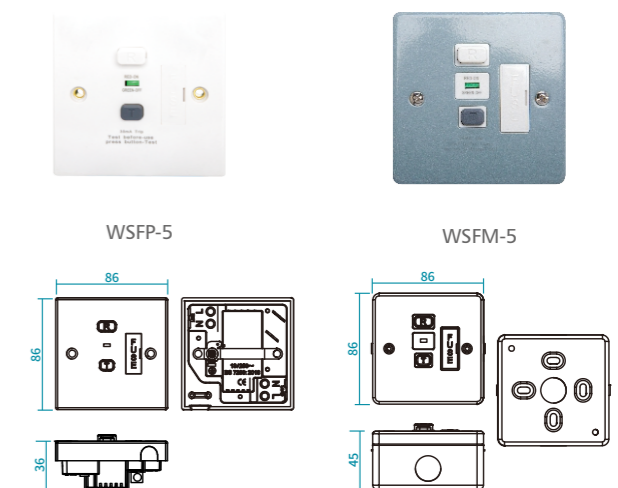
Part No	Description	Box Qty
WSPS213A/030-A	2 Gang Switched White RCD Socket 13A 30mA	40
RSMS213A/030-A	2 Gang Switched Metal Clad RCD Socket 13A 30mA	40

RCD Spur Unit

Design Features

This RCD protected Spur Unit is protected by a 30mA RCD trip and has a 13A Fuse with both flush and surface mount cable entries. RCD Fused Connection Unit gives additional protection against electric shocks and fire risk. The unit will remain latched if the power supply is tripped. It complies with all relevant EN specifications and is CE certified.

- Rated Voltage: AC220-250V/50Hz
- Maximum current: 13A
- Rated tripping current: 30mA
- Rated tripping time: 40mS
- Operating Model: Latching/Passive
- Tripping type: Type A
- Standard: BS7288:2016



Part No	Description	Box Qty
WSFP-5	Fused Connection Unit (RCD Spur) White	50
WSFM-5	Fused Connection Unit (RCD Spur) Metal Clad	40

