

METAL CONSUMER UNIT



LIVE ELECTRICAL DISTRIBUTION UK LTD

4 Queensmead Place, Textilose Road, Manchester, M17 1PH

Tel: 0161 8702592 Web: www.liveelectrical.co.uk

E-mail: sales@liveelectrical.co.uk



www.liveelectrical.co.uk



ABOUT US

Live Electrical Distribution (UK) Ltd was founded in November 2010.

Since then we have continuously evolved and improved our product range to meet the needs of our customers. Our philosophy is simple - we offer a quality product, at a low cost, with swift delivery.

Here at Live, we believe our success is down to the way we treat our employees and customers. Every member of our team plays a vital part in the operation and every customer is valued as much as the next. We always aim to provide the highest level of customer service, from the moment we receive your enquiry until after you've received your order. This attitude has helped us develop and maintain our customer base year on year, since the day we opened our doors.



STANDARD CONSUMER

| | |
|---|-----------|
| Detail drawing of Metal Consumer Unit | 01 |
| Metal Consumer unit Enclosure | 03 |
| Metal Consumer unit Enclosure (Flush Mounted) | 04 |
| Metal Main Switch Incomer | 05 |
| Metal Main Switch Incomer (Flush Mounted) | 06 |
| Metal RCD Incomer | 07 |
| Metal RCD Incomer (Flush Mounted) | 08 |
| Metal RCD Split Load | 09 |
| Metal RCD Split Load (Flush Mounted) | 10 |
| Metal Populated Unit | 11 |
| Metal Populated Unit (Flush Mounted) | 12 |
| Metal Surge Protection Populated Unit | 13 |
| Metal Surge Protection Populated Unit (Flush Mounted) | 14 |
| Metal Surge Protection Populated Unit | 15 |
| Metal Surge Protection Populated Unit (Flush Mounted) | 16 |
| Metal Surge Protection Consumer Unit | 17 |
| Metal Surge Protection Consumer Unit (Flush Mounted) | 18 |
| Garage Unit IP40 | 19 |
| Garage Unit IP40 (Flush Mounted) | 20 |
| Mini Garage Unit IP40 | 21 |
| Mini Garage Unit IP40 | 22 |
| IP20 Plastic Enclosure | 23 |
| Main Switch | 24 |
| Surge Protective Device | 25 |
| Miniature Circuit Breakers (1P-2P) | 27 |
| Miniature Circuit Breakers (3P-4P) | 29 |
| Type A RCBO with Switched Neutral Line | 31 |
| Twin Switch Type A RCBO Double Pole | 32 |
| Type A Residual Current Devices | 33 |
| 4 Pole Type A Residual Current Devices | 34 |
| Plastic Blanking Cover | 35 |
| Padlock | 35 |
| Metal Consumer unit Mounting Bracket | 36 |
| LSMC Dimensional Drawings | 37 |
| FMC Dimensional Drawings | 39 |
| Metal Consumer unit Mounting Bracket | 41 |



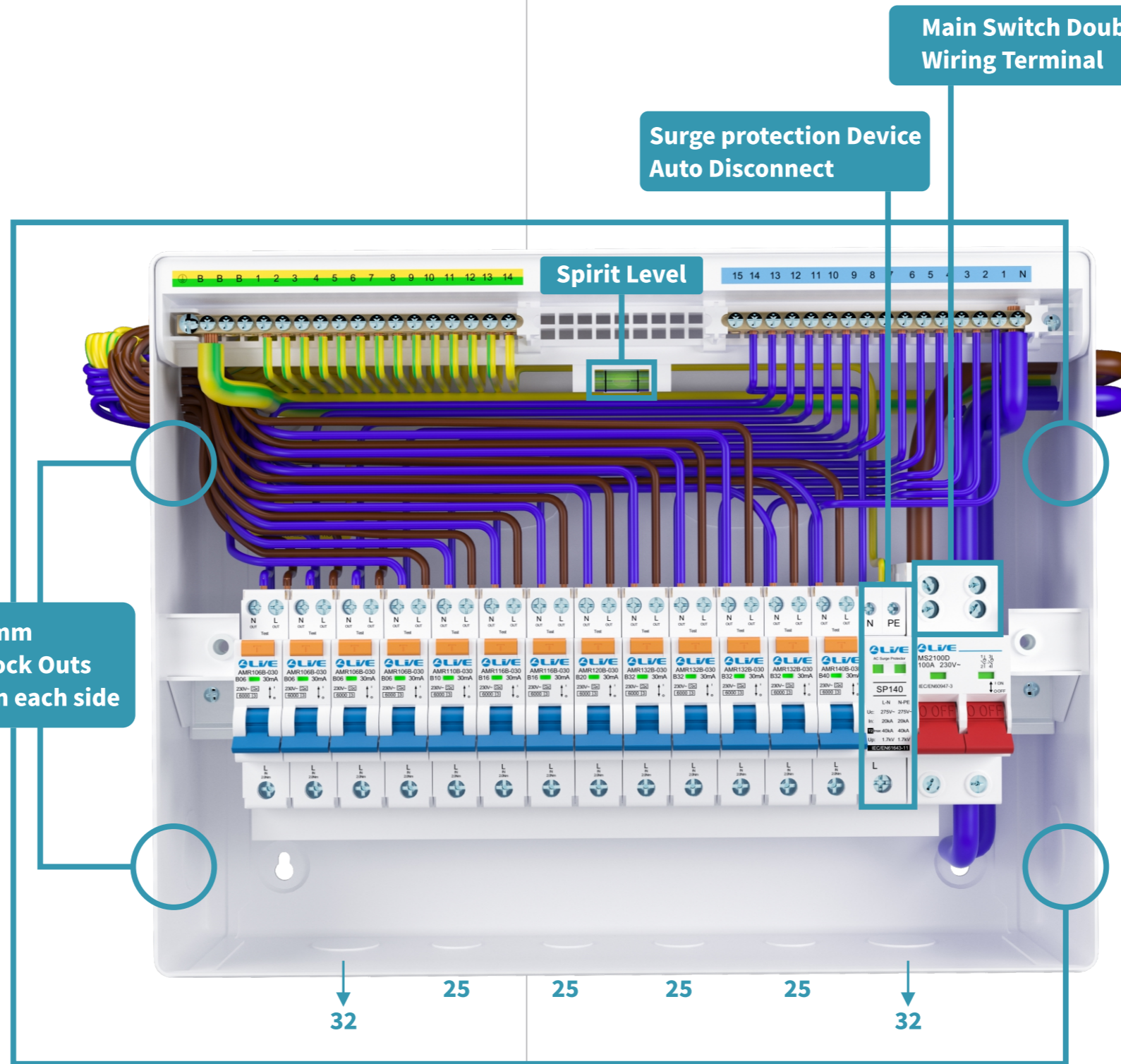
Laser logo



Knock out on top and bottom



Retained Screws



Earth Bond to lid



Lid installation clip



Lock available

Available from 4-24 modules Single stack

Design Features

- Consumer unit enclosures supplied with blank, Neutral Cable, Busbar, Neutral & Earth Terminal bar, Din Rail.
- Fully enclosed metal construction body with drop down metal lid.
- Multiple circular cable entry knock-outs (25&32mm) on the top and bottom, 32mm on the sides, and back plus larger rear slots.
- Raised key holes for secure easy installation.
- Raised Din rail improves cable routing.
- Large and accessible wiring space, with extra space for RCBOs, MCBs.
- Flexible connection allows for various configurations of protected ways.
- Lockable lids

| Part No | Description |
|---------|---|
| LSMC04 | 4 Way Metal clad Consumer Unit Enclosure |
| LSMC06 | 6 Way Metal clad Consumer Unit Enclosure |
| LSMC08 | 8 Way Metal clad Consumer Unit Enclosure |
| LSMC10 | 10 Way Metal clad Consumer Unit Enclosure |
| LSMC12 | 12 Way Metal clad Consumer Unit Enclosure |
| LSMC14 | 14 Way Metal clad Consumer Unit Enclosure |
| LSMC16 | 16 Way Metal clad Consumer Unit Enclosure |
| LSMC18 | 18 Way Metal clad Consumer Unit Enclosure |
| LSMC22 | 22 Way Metal clad Consumer Unit Enclosure |
| LSMC24 | 24 Way Metal clad Consumer Unit Enclosure |



Metal Consumer unit Enclosure



Metal Consumer unit Enclosure Flush Mounted



Design Features

- Consumer unit enclosures supplied with blank, Neutral Cable, Busbar, Neutral & Earth Terminal bar, Din Rail.
- Fully enclosed metal construction body with drop down metal lid.
- Multiple circular cable entry knock-outs (25&32mm) on the top and bottom, 32mm on the sides, and back plus larger rear slots.
- Raised key holes for secure easy installation.
- Raised Din rail improves cable routing.
- Large and accessible wiring space, with extra space for RCBOs, MCBs.
- Flexible connection allows for various configurations of protected ways.
- Lockable lids

| Part No | Description |
|---------|---|
| FMC04 | 4 Way Flush Metal clad Consumer Unit Enclosure |
| FMC06 | 6 Way Flush Metal clad Consumer Unit Enclosure |
| FMC08 | 8 Way Flush Metal clad Consumer Unit Enclosure |
| FMC10 | 10 Way Flush Metal clad Consumer Unit Enclosure |
| FMC12 | 12 Way Flush Metal clad Consumer Unit Enclosure |
| FMC14 | 14 Way Flush Metal clad Consumer Unit Enclosure |
| FMC16 | 16 Way Flush Metal clad Consumer Unit Enclosure |
| FMC20 | 20Way Flush Metal clad Consumer Unit Enclosure |
| FMC22 | 22Way Flush Metal clad Consumer Unit Enclosure |

Design Features

- Consumer unit enclosures supplied with neutral cable, busbar, neutral & earth terminals, DIN rail.
- Fitted with DP 100A main Switch.

| Part No | Description |
|------------|---|
| LSMC04/100 | 4 Way Metal Clad Consumer Unit c/w 100A Main Switch (2 usable ways) |
| LSMC06/100 | 6 Way Metal Clad Consumer Unit c/w 100A Main Switch (4 usable ways) |
| LSMC08/100 | 8 Way Metal Clad Consumer Unit c/w 100A Main Switch (6 usable ways) |
| LSMC10/100 | 10 Way Metal Clad Consumer Unit c/w 100A Main Switch (8 usable ways) |
| LSMC12/100 | 12 Way Metal Clad Consumer Unit c/w 100A Main Switch (10 usable ways) |
| LSMC14/100 | 14 Way Metal Clad Consumer Unit c/w 100A Main Switch (12 usable ways) |
| LSMC16/100 | 16 Way Metal Clad Consumer Unit c/w 100A Main Switch (14 usable ways) |
| LSMC18/100 | 18 Way Metal Clad Consumer Unit c/w 100A Main Switch (16 usable ways) |
| LSMC22/100 | 22 Way Metal Clad Consumer Unit c/w 100A Main Switch (20 usable ways) |
| LSMC24/125 | 24 Way Metal Clad Consumer Unit c/w 125A Main Switch (22 usable ways) |



Metal Main Switch Incomer

Metal Main Switch Incomer Flush Mounted



Design Features

- Consumer unit enclosures supplied with neutral cable, busbar, neutral & earth terminals, DIN rail.
- Fitted with DP 100A main Switch.

| Part No | Description |
|-----------|---|
| FMC04/100 | 4 Way Flush Metal Clad Consumer Unit c/w 100A Main Switch (2 usable ways) |
| FMC06/100 | 6 Way Flush Metal Clad Consumer Unit c/w 100A Main Switch (4 usable ways) |
| FMC08/100 | 8 Way Flush Metal Clad Consumer Unit c/w 100A Main Switch (6 usable ways) |
| FMC10/100 | 10 Way Flush Metal Clad Consumer Unit c/w 100A Main Switch (8 usable ways) |
| FMC12/100 | 12 Way Flush Metal Clad Consumer Unit c/w 100A Main Switch (10 usable ways) |
| FMC14/100 | 14 Way Flush Metal Clad Consumer Unit c/w 100A Main Switch (12 usable ways) |
| FMC16/100 | 16 Way Flush Metal Clad Consumer Unit c/w 100A Main Switch (14 usable ways) |
| FMC20/100 | 20 Way Flush Metal Clad Consumer Unit c/w 100A Main Switch (18 usable ways) |
| FMC22/100 | 22 Way Flush Metal Clad Consumer Unit c/w 100A Main Switch (20 usable ways) |

Design Features

- Consumer unit enclosures supplied with neutral cable, busbar, neutral & earth terminals, DIN rail.
- Fitted with type A DP RCD

| Part No | Description |
|-------------|---|
| LSMC04-RC63 | 4 Way Metal Clad Consumer Unit c/w 63A 30mA RCD (2 usable ways) |
| LSMC04-RC80 | 4 Way Metal Clad Consumer Unit c/w 80A 30mA RCD (2 usable ways) |
| LSMC06-RC63 | 6 Way Metal Clad Consumer Unit c/w 63A 30mA RCD (4 usable ways) |
| LSMC06-RC80 | 6 Way Metal Clad Consumer Unit c/w 80A 30mA RCD (4 usable ways) |
| LSMC08-RC63 | 8 Way Metal Clad Consumer Unit c/w 63A 30mA RCD (6 usable ways) |
| LSMC08-RC80 | 8 Way Metal Clad Consumer Unit c/w 80A 30mA RCD (6 usable ways) |
| LSMC10-RC63 | 10 Way Metal Clad Consumer Unit c/w 63A 30mA RCD (8 usable ways) |
| LSMC10-RC80 | 10 Way Metal Clad Consumer Unit c/w 80A 30mA RCD (8 usable ways) |
| LSMC12-RC63 | 12 Way Metal Clad Consumer Unit c/w 63A 30mA RCD (10 usable ways) |
| LSMC12-RC80 | 12 Way Metal Clad Consumer Unit c/w 80A 30mA RCD (10 usable ways) |



Metal RCD Incomer

Metal RCD Incomer Flush Mounted



Design Features

- Consumer unit enclosures supplied with neutral cable, busbar, neutral & earth terminals, DIN rail.
- Fitted with type A DP RCD

| Part No | Description |
|------------|---|
| FMC04-RC63 | 4 Way Flush Metal Clad Consumer Unit c/w 63A 30mA RCD (2 usable ways) |
| FMC04-RC80 | 4 Way Flush Metal Clad Consumer Unit c/w 80A 30mA RCD (2 usable ways) |
| FMC06-RC63 | 6 Way Flush Metal Clad Consumer Unit c/w 63A 30mA RCD (4 usable ways) |
| FMC06-RC80 | 6 Way Flush Metal Clad Consumer Unit c/w 80A 30mA RCD (4 usable ways) |
| FMC08-RC63 | 8 Way Flush Metal Clad Consumer Unit c/w 63A 30mA RCD (6 usable ways) |
| FMC08-RC80 | 8 Way Flush Metal Clad Consumer Unit c/w 80A 30mA RCD (6 usable ways) |
| FMC10-RC63 | 10 Way Flush Metal Clad Consumer Unit c/w 63A 30mA RCD (8 usable ways) |
| FMC10-RC80 | 10 Way Flush Metal Clad Consumer Unit c/w 80A 30mA RCD (8 usable ways) |
| FMC12-RC63 | 12 Way Flush Metal Clad Consumer Unit c/w 63A 30mA RCD (10 usable ways) |
| FMC12-RC80 | 12 Way Flush Metal Clad Consumer Unit c/w 80A 30mA RCD (10 usable ways) |

Design Features

- Consumer unit enclosures supplied with neutral cable, busbar, neutral & earth terminals, DIN rail.
- Fitted with 2 DP type A RCD
- Fitted with DP 100A/125A main Switch

| Part No | Description |
|-----------------|---|
| LSMC1463TR | 14 Way Split Load c/w 100A Main Switch / 2×63A 30mA RCD (8 usable ways) |
| LSMC1480TR | 14 Way Split Load c/w 100A Main Switch / 2×80A 30mA RCD (8 usable ways) |
| LSMC1663TR | 16 Way Split Load c/w 100A Main Switch / 2×63A 30mA RCD (10 usable ways) |
| LSMC1680TR | 16 Way Split Load c/w 100A Main Switch / 2×80A 30mA RCD (10 usable ways) |
| LSMC1863TR | 18 Way Split Load c/w 100A Main Switch / 2×63A 30mA RCD (12 usable ways) |
| LSMC1880TR | 18 Way Split Load c/w 100A Main Switch / 2×80A 30mA RCD (12 usable ways) |
| LSMC2263TR | 22 Way Split Load c/w 100A Main Switch/2 x 63A 30mA RCD(16 usable ways) |
| LSMC2280TR | 22 Way Split Load c/w 100A Main Switch / 2×80A 30mA RCD (16 usable ways) |
| LSMC2463TR | 24Way Split Load c/w 125A Main Switch / 2×80A 30mA RCD (18 usable ways) |
| LSMC2480TR | 24Way Split Load c/w 125A Main Switch / 2×80A 30mA RCD (18 usable ways) |
| LSMC14100TR/125 | 14 Way Split Load c/w 125A Main Switch / 2x100A 30mA RCD(8 usable ways) |
| LSMC16100TR/125 | 16 Way Split Load c/w 125A Main Switch / 2x100A 30mA RCD (10 usable ways) |
| LSMC18100TR/125 | 18 Way Split Load c/w 125A Main Switch / 2x100A 30mA RCD (12 usable ways) |
| LSMC22100TR/125 | 22 Way Split Load c/w 125A Main Switch / 2x100A 30mA RCD(16 usable ways) |
| LSMC24100TR/125 | 24 Way Split Load c/w 125A Main Switch / 2x100A 30mA RCD(18 usable ways) |



Metal RCD Split Load

Metal RCD Split Load Flush Mounted



Design Features

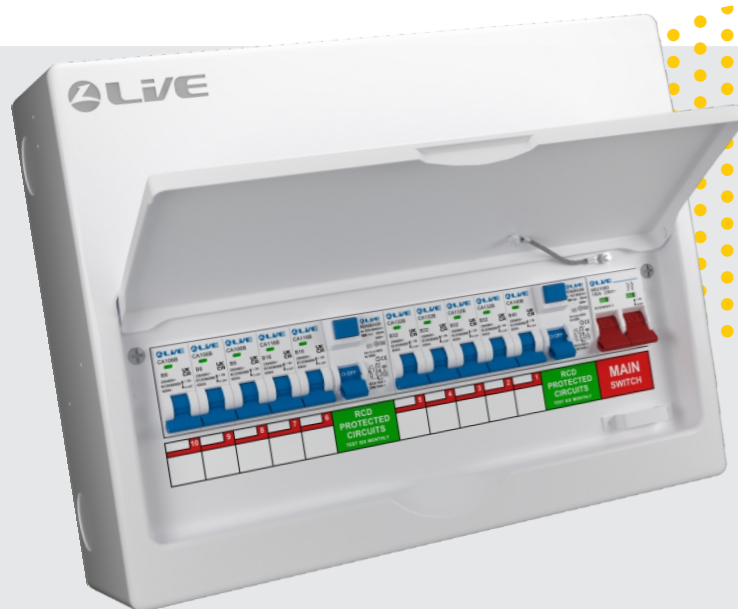
- Consumer unit enclosures supplied with neutral cable, busbar, neutral & earth terminals, DIN rail.
- Fitted with 2 DP type A RCD
- Fitted with DP 100A/125A main Switch

| Part No | Description |
|----------------|---|
| FMC1463TR | 14 Way Flush Split Load c/w 100A Main Switch / 2x63A 30mA RCD (8 usable ways) |
| FMC1480TR | 14 Way Flush Split Load c/w 100A Main Switch / 2x80A 30mA RCD (8 usable ways) |
| FMC1663TR | 16 Way Flush Split Load c/w 100A Main Switch / 2x63A 30mA RCD (10 usable ways) |
| FMC1680TR | 16 Way Flush Split Load c/w 100A Main Switch / 2x80A 30mA RCD (10 usable ways) |
| FMC2063TR | 20 Way Flush Split Load c/w 100A Main Switch / 2x63A 30mA RCD (14 usable ways) |
| FMC2080TR | 20 Way Flush Split Load c/w 100A Main Switch / 2x80A 30mA RCD (14 usable ways) |
| FMC2263TR | 22 Way Flush Split Load c/w 100A Main Switch/2 x 63A 30mA RCD(16 usable ways) |
| FMC2280TR | 22 Way Flush Split Load c/w 100A Main Switch / 2×80A 30mA RCD (16 usable ways) |
| FMC14100TR/125 | 14 Way Flush Split Load c/w 125A Main Switch / 2x100A 30mA RCD (8 usable ways) |
| FMC16100TR/125 | 16 Way Flush Split Load c/w 125A Main Switch / 2x100A 30mA RCD (10 usable ways) |
| FMC20100TR/125 | 20 Way Flush Split Load c/w 125A Main Switch /2x100A 30mA RCD (14 usable ways) |
| FMC22100TR/125 | 22 Way Flush Split Load c/w 125A Main Switch / 2x100A 30mA RCD(16 usable ways) |

Design Features

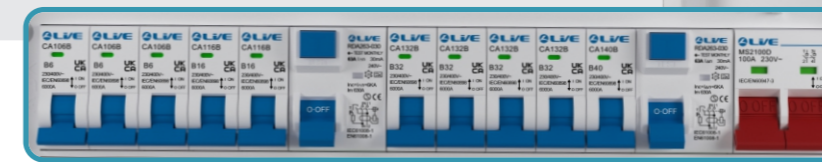
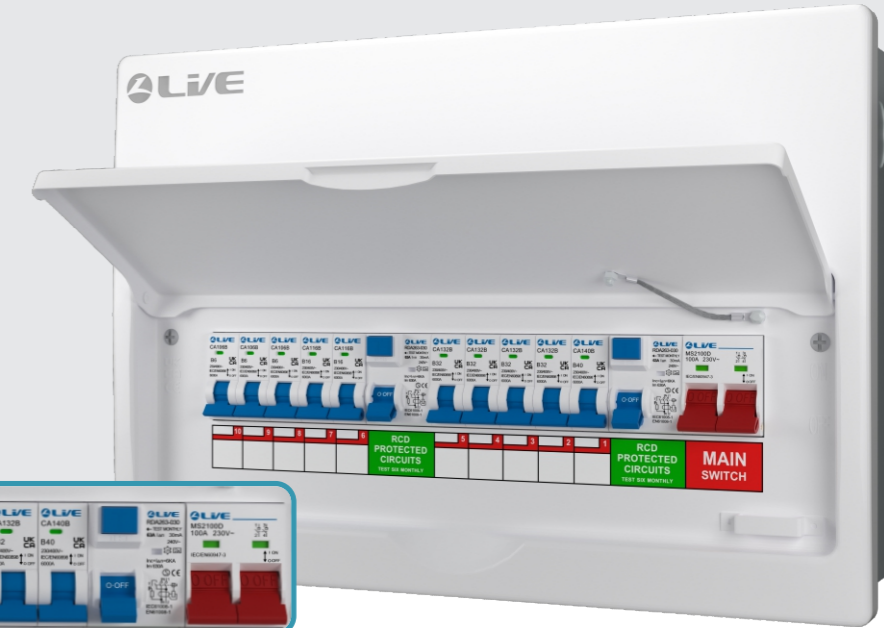
- Consumer unit enclosures supplied with neutral cable, busbar, neutral & earth terminals, DIN rail.
- Fitted with 2 type A DP RCD
- Fitted with DP 100A/125A main Switch
- Fitted with MCBs

| Part No | Description |
|--------------|---|
| LSMC1463TR-A | 14 Way Split Load c/w 100A Main Switch / 2x63A 30mA RCD+8 MCBs (3x6A,1x16A,3x32A,1x40A) |
| LSMC1480TR-A | 14 Way Split Load c/w 100A Main Switch /2x80A 30mA RCD+8 MCBs (3x6A,1x16A,3x32A, 1x40A) |
| LSMC1663TR-A | 16 Way Split Load c/w 100A Main Switch / 2x63A 30mA RCD+10 MCBs (3x6A,2x16A,4x32A,1x40A) |
| LSMC1680TR-A | 16 Way Split Load c/w 100A Main Switch /2x80A 30mA RCD+10 MCBs (3x6A,2x16A,4x32A,1x40A) |
| LSMC1863TR-A | 18 Way Split Load c/w 100A Main Switch / 2x63A 30mA RCD+12 MCBs (4x6A,3x16A,4x32A,1x40A) |
| LSMC1880TR-A | 18 Way Split Load c/w 100A Main Switch / 2x80A 30mA RCD+12 MCBs (4x6A,3x16A,4x32A,1x40A) |
| LSMC2263TR-A | 22 Way Split Load c/w 100A Main Switch /2x63A 30mA RCD+16 MCBs (5x6A,2x10A,3x16A,5x32A,1x40A) |
| LSMC2280TR-A | 22 Way Split Load c/w 100A Main Switch / 2x80A 30mA RCD+16 MCBs (5x6A,2x10A,3x16A,5x32A,1x40A) |
| LSMC2463TR-A | 24 Way Split Load c/w 125A Main Switch / 2 x 63A 30mA RCD+18 MCBs (6x6A,2x10A,3x16A,5x32A, 2x40A) |
| LSMC2480TR-A | 24 Way Split Load c/w 125A Main Switch / 2 x 80A 30mA RCD+18 MCBs (6x6A, 2x10A, 3x16A, 5x32A,2x40A) |



Metal Populated Unit

Metal Populated Unit Flush Mounted



Design Features

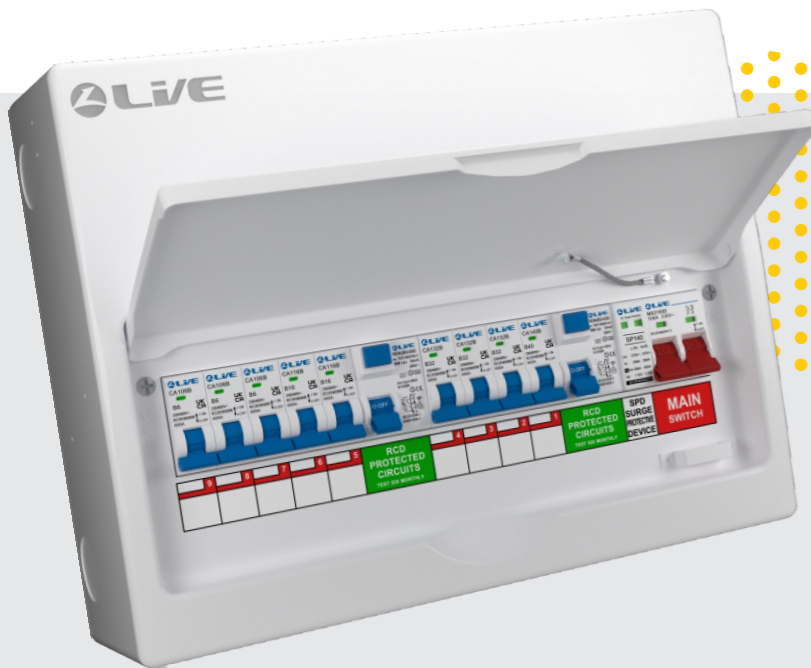
- Consumer unit enclosures supplied with neutral cable, busbar, neutral & earth terminals, DIN rail.
- Fitted with 2 type A DP RCD
- Fitted with DP 100A main Switch
- Fitted with MCBs

| Part No | Description |
|-------------|---|
| FMC1463TR-A | 14 Way Flush Split Load c/w 100A Main Switch / 2x63A 30mA RCD+8 MCBs (3x6A,1x16A,3x32A,1x40A) |
| FMC1480TR-A | 14 Way Flush Split Load c/w 100A Main Switch /2x80A 30mA RCD+8 MCBs (3x6A,1x16A,3x32A,1x40A) |
| FMC1663TR-A | 16 Way Flush Split Load c/w 100A Main Switch / 2x63A 30mA RCD+10 MCBs (3x6A,2x16A,4x32A,1x40A) |
| FMC1680TR-A | 16 Way Flush Split Load c/w 100A Main Switch /2x80A 30mA RCD+10 MCBs (3x6A,2x16A,4x32A,1x40A) |
| FMC2063TR-A | 20 Way Flush Split Load c/w 100A Main Switch / 2x63A 30mA RCD+14 MCBs (4x6A,3x16A,2x20A,4x32A,1x40A) |
| FMC2080TR-A | 20 Way Flush Split Load c/w 100A Main Switch / 2x80A 30mA RCD+14 MCBs (4x6A,3x16A,2x20A,4x32A,1x40A) |
| FMC2263TR-A | 22 Way Flush Split Load c/w 100A Main Switch / 2 x 63A 30mA RCD+16 MCBs (5x6A,2x10A,3x16A,5x32A, 1x40A) |
| FMC2280TR-A | 22 Way Flush Split Load c/w 100A Main Switch / 2 x 80A 30mA RCD+16 MCBs (5x6A, 2x10A, 3x16A, 5x32A,1x40A) |

Design Features

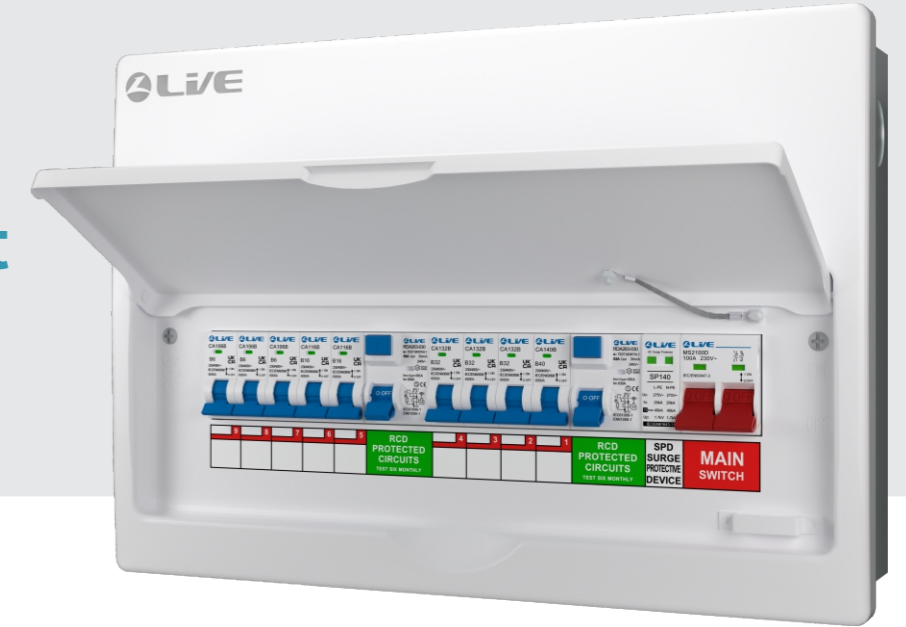
- Consumer unit enclosures supplied with neutral cable, busbar, neutral & earth terminals, DIN rail.
- Fitted with 2 type A DP RCD
- Fitted with DP 100A/125A main Switch
- Fitted with MCBs
- Fitted with 20/40kA DP Surge Protective Device (SP140 1P+N/1)

| Part No | Description |
|---------------|---|
| LSMC1463TR-AS | 14 Way Split Load c/w 100A Main Switch/2x63A 30mA RCD+7MCBs (3x6A,1x16A,2x32A,1x40A)+20/40kA DP Surge Protective Device |
| LSMC1663TR-AS | 16 Way Split Load c/w 100A Main Switch/2x63A 30mA RCD+9MCBs (3x6A,2x16A,3x32A,1x40A)+20/40kA DP Surge Protective Device |
| LSMC1680TR-AS | 16 Way Split Load c/w 100A Main Switch / 2x80A 30mA RCD+9MCBs (3x6A,2x16A,3x32A,1x40A+20/40kA DP Surge Protective Device) |
| LSMC1863TR-AS | 18 Way Split Load c/w 100A Main Switch / 2x63A 30mA RCD+11MCBs (4x6A,2x16A,4x32A,1x40A)+20/40kA DP Surge Protective Device |
| LSMC1880TR-AS | 18 Way Split Load c/w 100A Main Switch / 2x80A 30mA RCD+11MCBs (4x6A,2x16A,4x32A,1x40A)+20/40kA DP Surge Protective Device |
| LSMC2280TR-AS | 22 Way Split Load c/w 100A Main Switch / 2x80A 30mA RCD+15MCBs (5x6A,1x10A,3x16A,5x32A,1x40A)+20/40kA DP Surge Protective Device |
| LSMC2463TR-AS | 24 Way Split Load c/w 125A Main Switch / 2x63A 30mA RCD+17 MCBs (6x6A, 1x10A, 3x16A, 5x32A, 2x40A) + 20/40kA DP Surge Protective Device |
| LSMC2480TR-AS | 24 Way Split Load c/w 125A Main Switch / 2x80A 30mA RCD+17 MCBs (6x6A, 1x10A, 3x16A, 5x32A, 2x40A) + 20/40kA DP Surge Protective Device |



Metal Surge Protection Populated Unit

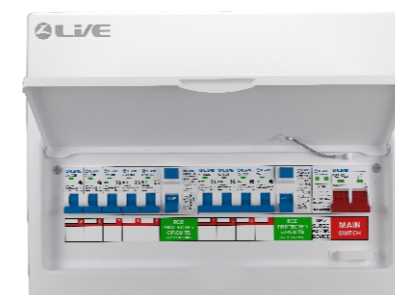
Metal Surge Protection Populated Unit Flush Mounted



Design Features

- Consumer unit enclosures supplied with neutral cable, busbar, neutral & earth terminals, DIN rail.
- Fitted with 2 type A DP RCD
- Fitted with DP 100A main Switch
- Fitted with MCBs
- Fitted with 20/40kA DP Surge Protective Device (SP140 1P+N/1)

| Part No | Description |
|--------------|---|
| FMC1463TR-AS | 14 Way Flush Split Load c/w 100A Main Switch/2x63A 30mA RCD+7MCBs (3x6A,1x16A,2x32A,1x40A)+20/40kA DP Surge Protective Device |
| FMC1663TR-AS | 16 Way Flush Split Load c/w 100A Main Switch/2x63A 30mA RCD+9MCBs (3x6A,2x16A,3x32A,1x40A)+20/40kA DP Surge Protective Device |
| FMC1680TR-AS | 16 Way Flush Split Load c/w 100A Main Switch / 2x80A 30mA RCD+9MCBs (3x6A,2x16A,3x32A,1x40A+20/40kA DP Surge Protective Device) |
| FMC2080TR-AS | 20 Way Flush Split Load c/w 100A Main Switch / 2x80A 30mA RCD+13 MCBs (4x6A,2x16A,2x20A,4x32A,1x40A)+20/40kA DP Surge Protective Device |
| FMC2263TR-AS | 22 Way Flush Split Load c/w 100A Main Switch / 2x63A 30mA RCD+15 MCBs (5x6A, 1x10A, 3x16A, 5x32A, 1x40A) + 20/40kA DP Surge Protective Device |
| FMC2280TR-AS | 22 Way Flush Split Load c/w 100A Main Switch / 2x80A 30mA RCD+15 MCBs (5x6A, 1x10A, 3x16A, 5x32A, 1x40A)+ 20/40kA DP Surge Protective Device |



Design Features

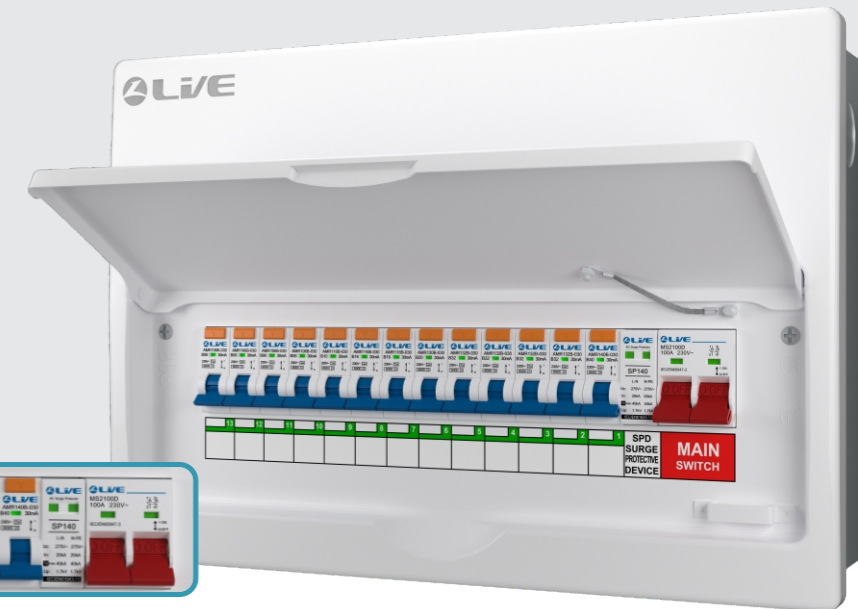
- Consumer unit enclosures supplied with neutral cable, busbar, neutral & earth terminals, DIN rail.
- Fitted with DP 100A/125A main Switch
- Fitted with type A RCBOs
- Fitted with 20/40kA DP Surge Protective Device (SP140 1P+N/1)

| Part No | Description |
|---------------|--|
| LSMC04 SR/100 | 4Way Split Load c/w 100A Main Switch/ and 20/40kA DP Surge Protective Device+1AMRs (1x20A) |
| LSMC06 SR/100 | 6Way Split Load c/w 100A Main Switch/ and 20/40kA DP Surge Protective Device+3AMRs (1x6A,1X20A,1x32A) |
| LSMC08 SR/100 | 8Way Split Load c/w 100A Main Switch/ and 20/40kA DP Surge Protective Device+5AMRs (1x6A,1x16A, 1X20A,1X32A,1x40A) |
| LSMC10 SR/100 | 10Way Split Load c/w 100A Main Switch/ and 20/40kA DP Surge Protective Device+7AMRs (2x6A,1x16A,1X20A, 2x32A,1x40A) |
| LSMC12 SR/100 | 12Way Split Load c/w 100A Main Switch/ and 20/40kA DP Surge Protective Device+9AMRs (3x6A,1x16A,1X20A,3x32A,1x40A) |
| LSMC14 SR/100 | 14Way Split Load c/w 100A Main Switch/ and 20/40kA DP Surge Protective Device+11AMRs (3x6A,2x16A,1X20A,4x32A,1x40A) |
| LSMC16 SR/100 | 16Way Split Load c/w 100A Main Switch/ and 20/40kA DP Surge Protective Device+13AMRs (4x6A,1x10A,2x16A,1x20A,4x32A,1x40A) |
| LSMC18 SR/100 | 18Way Split Load c/w 100A Main Switch/ and 20/40kA DP Surge Protective Device+15AMRs (4x6A,2x10A, 3x16A,1x20A,4x32A,1x40A) |
| LSMC22 SR/100 | 22Way Split Load c/w 100A Main Switch/ and 20/40kA DP Surge Protective Device+19AMRs (5x6A,2x10A,3x16A, 3x20A,5x32A,1x40A) |
| LSMC24 SR/125 | 24Way Split Load c/w 125A Main Switch/ and 20/40kA DP Surge Protective Device+21AMRs(6x6A, 2x10A, 3x16A, 3X20A,5x32A, 2x40A) |



Metal Surge Protection Populated Unit

Metal Surge Protection Populated Unit Flush Mounted



Design Features

- Consumer unit enclosures supplied with neutral cable, busbar, neutral & earth terminals, DIN rail.
- Fitted with DP 100A main Switch
- Fitted with type A RCBOs
- Fitted with 20/40kA DP Surge Protective Device (SP140 1P+N/1)

| Part No | Description |
|--------------|--|
| FMC04 SR/100 | 4Way Flush Split Load c/w 100A Main Switch/and 20/40kA DP Surge Protective Device+1AMRs (1x20A) |
| FMC06 SR/100 | 6Way Flush Split Load c/w 100A Main Switch/and 20/40kA DP Surge Protective Device+3AMRs (1x6A,1X20A,1x32A) |
| FMC08 SR/100 | 8Way Flush Split Load c/w 100A Main Switch/and 20/40kA DP Surge Protective Device+5AMRs (1x6A,1x16A, 1x20A,1x32A,1x40A) |
| FMC10 SR/100 | 10Way Flush Split Load c/w 100A Main Switch/and 20/40kA DP Surge Protective Device+7AMRs (2x6A,1x16A,1x20A, 2x32A,1x40A) |
| FMC12 SR/100 | 12Way Flush Split Load c/w 100A Main Switch/and 20/40kA DP Surge Protective Device+9AMRs (3x6A,1x16A,1x20A, 3x32A,1x40A) |
| FMC14 SR/100 | 14Way Flush Split Load c/w 100A Main Switch/and 20/40kA DP Surge Protective Device+11AMRs (3x6A,2x16A,1x20A, 4x32A,1x40A) |
| FMC16 SR/100 | 16Way Flush Split Load c/w 100A Main Switch/and 20/40kA DP Surge Protective Device+13AMRs (4x6A,1x10A,2x16A, 1x20A,4x32A,1x40A) |
| FMC20 SR/100 | 20Way Flush Split Load c/w 100A Main Switch/and 20/40kA DP Surge Protective Device+17AMRs (4x6A,2x10A, 3x16A,3x20A, 4x32A,1x40A) |
| FMC22 SR/100 | 22Way Flush Split Load c/w 100A Main Switch/ and 20/40kA DP Surge Protective Device+19AMRs(5x6A, 2x10A, 3x16A, 3X20A,5x32A, 1x40A) |

Design Features

- Consumer unit enclosures supplied with neutral cable, busbar, neutral & earth terminals, DIN rail.
- Fitted with 20/40kA DP Surge Protective Device (SP140 1P+N/1)
- Fitted with DP 100A/125A main Switch

| Part No | Description |
|------------|---|
| LSMC4M-SP | 4 Way Metal Consumer Unit c/w 100A Main Switch+20/40kA DP Surge Arrester (1 usable way) |
| LSMC6M-SP | 6 Way Metal Consumer Unit c/w 100A Main Switch+20/40kA DP Surge Arrester (3 usable way) |
| LSMC8M-SP | 8 Way Metal Consumer Unit c/w 100A Main Switch+20/40kA DP Surge Arrester (5 usable way) |
| LSMC10M-SP | 10 Way Metal Consumer Unit c/w 100A Main Switch+20/40kA DP Surge Arrester (7 usable way) |
| LSMC12M-SP | 12 Way Metal Consumer Unit c/w 100A Main Switch+20/40kA DP Surge Arrester (9 usable way) |
| LSMC14M-SP | 14 Way Metal Consumer Unit c/w 100A Main Switch+20/40kA DP Surge Arrester (11 usable way) |
| LSMC16M-SP | 16 Way Metal Consumer Unit c/w 100A Main Switch+20/40kA DP Surge Arrester (13 usable way) |
| LSMC18M-SP | 18 Way Metal Consumer Unit c/w 100A Main Switch+20/40kA DP Surge Arrester (15 usable way) |
| LSMC22M-SP | 22 Way Metal Consumer Unit c/w 100A Main Switch+20/40kA DP Surge Arrester (19 usable way) |
| LSMC24M-SP | 24 Way Metal Consumer Unit c/w 125A Main Switch+20/40kA DP Surge Arrester (21 usable way) |



Metal Surge Protection Consumer Unit

Metal Surge Protection Consumer Unit Flush Mounted



Design Features

- Consumer unit enclosures supplied with neutral cable, busbar, neutral & earth terminals, DIN rail.
- Fitted with DP 100A main Switch
- Fitted with type A RCBOs
- Fitted with 20/40kA DP Surge Protective Device (SP140 1P+N/1)

| Part No | Description |
|-----------|---|
| FMC4M-SP | 4Way Flush Metal Consumer Unit c/w 100A Main Switch+20/40kA DP Surge Arrester (1 usable way) |
| FMC6M-SP | 6 Way Flush Metal Consumer Unit c/w 100A Main Switch+20/40kA DP Surge Arrester (3 usable way) |
| FMC8M-SP | 8 Way Flush Metal Consumer Unit c/w 100A Main Switch+20/40kA DP Surge Arrester (5 usable way) |
| FMC10M-SP | 10 Way Flush Metal Consumer Unit c/w 100A Main Switch+20/40kA DP Surge Arrester (7 usable way) |
| FMC12M-SP | 12 Way Flush Metal Consumer Unit c/w 100A Main Switch+20/40kA DP Surge Arrester (9 usable way) |
| FMC14M-SP | 14 Way Flush Metal Consumer Unit c/w 100A Main Switch+20/40kA DP Surge Arrester (11 usable way) |
| FMC16M-SP | 16 Way Flush Metal Consumer Unit c/w 100A Main Switch+20/40kA DP Surge Arrester (13 usable way) |
| FMC20M-SP | 20 Way Flush Metal Consumer Unit c/w 100A Main Switch+20/40kA DP Surge Arrester (17 usable way) |
| FMC22M-SP | 22 Way Flush Metal Consumer Unit c/w 100A Main Switch+20/40kA DP Surge Arrester (19 usable way) |

Design Features

- Consumer unit enclosures supplied with neutral cable, busbar, neutral & earth terminals, DIN rail.
- Fitted with 40A/63A 30mA type A RCD
- Fitted with 100A main switch
- Fitted with MCBs

| Part No | Description |
|-----------|---|
| LSSU6340 | 4 Way c/w 63A 30mA RCD+B40A MCB |
| LSSU6350 | 4 Way c/w 63A 30mA RCD+B50A MCB |
| LSGU40616 | 4 Way c/w 40A 30mA RCD+B6A/B16A MCB |
| LSGU63616 | 4 Way c/w 63A 30mA RCD+B6A/B16A MCB |
| LSGU63620 | 4 Way c/w 63A 30mA RCD+B6A/B20A MCB |
| LSGU63632 | 4 Way c/w 63A 30mA RCD+B6A/B32A MCB |
| LSGUMS20 | 4 Way c/w 100A Main Switch+B20A MCB |
| LSGUMS32 | 4 Way c/w 100A Main Switch+B32A MCB |
| LSGUMS616 | 4 Way c/w 100A Main Switch+B6A/B16A MCB |



Garage Unit IP40

Garage Unit IP40 Flush Mounted



Design Features

- Consumer unit enclosures supplied with neutral cable, busbar, neutral & earth terminals, DIN rail.
- Fitted with 40A/63A 30mA type A RCD
- Fitted with 100A main switch
- Fitted with MCBs

| Part No | Description |
|-----------|---|
| FMSU6340 | 4 Way Flush c/w 63A 30mA RCD+B40A MCB |
| FMSU6350 | 4 Way Flush c/w 63A 30mA RCD+B50A MCB |
| FMGU40616 | 4 Way Flush c/w 40A 30mA RCD+B6A/B16A MCB |
| FMGU63616 | 4 Way Flush c/w 63A 30mA RCD+B6A/B16A MCB |
| FMGU63620 | 4 Way Flush c/w 63A 30mA RCD+B6A/B20A MCB |
| FMGU63632 | 4 Way Flush c/w 63A 30mA RCD+B6A/B32A MCB |
| FMGUMS20 | 4 Way Flush c/w 100A Main Switch+B20A MCB |
| FMGUMS32 | 4 Way Flush c/w 100A Main Switch+B32A MCB |
| FMGUMS616 | 4 Way Flush c/w 100A Main Switch+B6A/B16A MCB |



Design Features

Fully enclosed metal construction body with drop down metal lid.

Circular cable entry knock-outs (20&25mm) on the top.

Large and accessible wiring space, with extra space for RCBOs, MCBs.

Flexible connection allows for various configurations of protected ways.

- Fitted with 20/40kA DP Surge Protective Device (SP140 1P+N/1)
- Fitted with Type A DP 16~40A RCBOs

| Part No | Description |
|------------|--|
| MMGU05 | 5Way Mini Garage Unit |
| MMGU05-16B | 5Way Mini Garage Unit, RNA16B-030, 20/40kA DP Surge Protective Device (2 usable way) |
| MMGU05-20B | 5Way Mini Garage Unit, RNA20B-030, 20/40kA DP Surge Protective Device (2 usable way) |
| MMGU05-32B | 5Way Mini Garage Unit, RNA32B-030, 20/40kA DP Surge Protective Device (2 usable way) |
| MMGU05-40B | 5Way Mini Garage Unit, RNA40B-030, 20/40kA DP Surge Protective Device (2 usable way) |
| MMGU05-16C | 5Way Mini Garage Unit, RNA16C-030, 20/40kA DP Surge Protective Device (2 usable way) |
| MMGU05-20C | 5Way Mini Garage Unit, RNA20C-030, 20/40kA DP Surge Protective Device (2 usable way) |
| MMGU05-32C | 5Way Mini Garage Unit, RNA32C-030, 20/40kA DP Surge Protective Device (2 usable way) |
| MMGU05-40C | 5Way Mini Garage Unit, RNA40C-030, 20/40kA DP Surge Protective Device (2 usable way) |



Mini Garage Unit IP40

Mini Garage Unit IP40



Design Features

Fully enclosed metal construction body with drop down metal lid.

Circular cable entry knock-outs (20&25mm) on the top.

Large and accessible wiring space, with extra space for RCBOs, MCBs.

Flexible connection allows for various configurations of protected ways.

- Fitted with 20/40kA DP Surge Protective Device (SP140 1P+N/1)
- Fitted with DP 100A main Switch
- Fitted with Type A RCBO with Switched Neutral Line

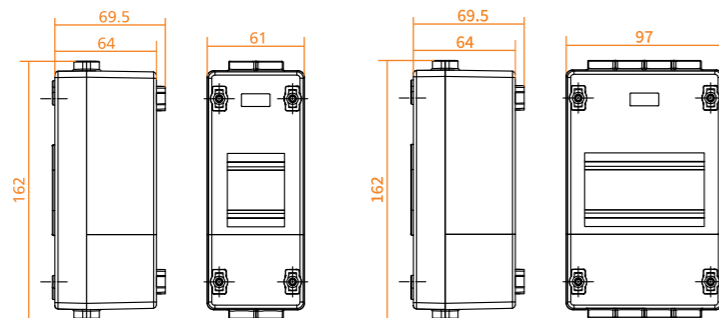
| Part No | Description |
|-----------|--|
| MMGU05-SR | 5Way Mini Garage Unit, 100A Main Switch, 20/40kA DP Surge Protective Device, 40A Type A RCBO |



Design Features

This range is constructed from tough flame retardant ABS and rated at IP20, making them suitable for most indoor applications.

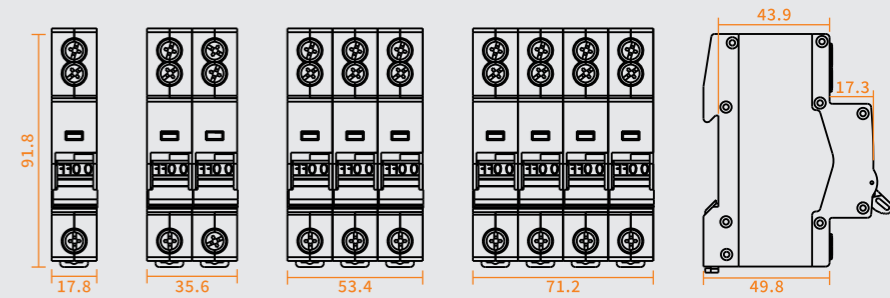
| Part No | Description |
|-------------|---|
| PEN2 | 2 Way Plastic Enclosure |
| PEN4 | 4 Way Plastic Enclosure |
| PEN2100D | 2 Way Plastic Enclosure with DP 100A Main Switch (Double Wiring Terminal) |
| PEN4100D | 4 Way Plastic Enclosure with 4 Pole 100A Main Switch (Double Wiring Terminal) |
| PEN2100D-SP | 4 Way Plastic Enclosure with DP 100A Main Switch(Double Wiring Terminal) +20/40kA DP Surge Protective Device (SP140 1P+N/1) |
| PEN2100DS | 4 Way Plastic Enclosure with DP 100A Main Switch(Double Wiring Terminal) B32A MCB+20/40kA DP Surge Protective Device (SP140 1P+N/1) |



IP20 Plastic Enclosure

Main Switch

Design Features



- 100/125A Rated Current
- 230/400V Rated Voltage
- BS IEC/EN 60947-3 Compliant
- Double Wiring Terminal

| Part No | Description |
|---------|------------------------------------|
| MS1100D | 1 Pole 100A Double Wiring Terminal |
| MS2100D | 2 Pole 100A Double Wiring Terminal |
| MS3100D | 3 Pole 100A Double Wiring Terminal |
| MS4100D | 4 Pole 100A Double Wiring Terminal |
| MS1125D | 1 Pole 125A Double Wiring Terminal |
| MS2125D | 2 Pole 125A Double Wiring Terminal |
| MS3125D | 3 Pole 125A Double Wiring Terminal |
| MS4125D | 4 Pole 125A Double Wiring Terminal |

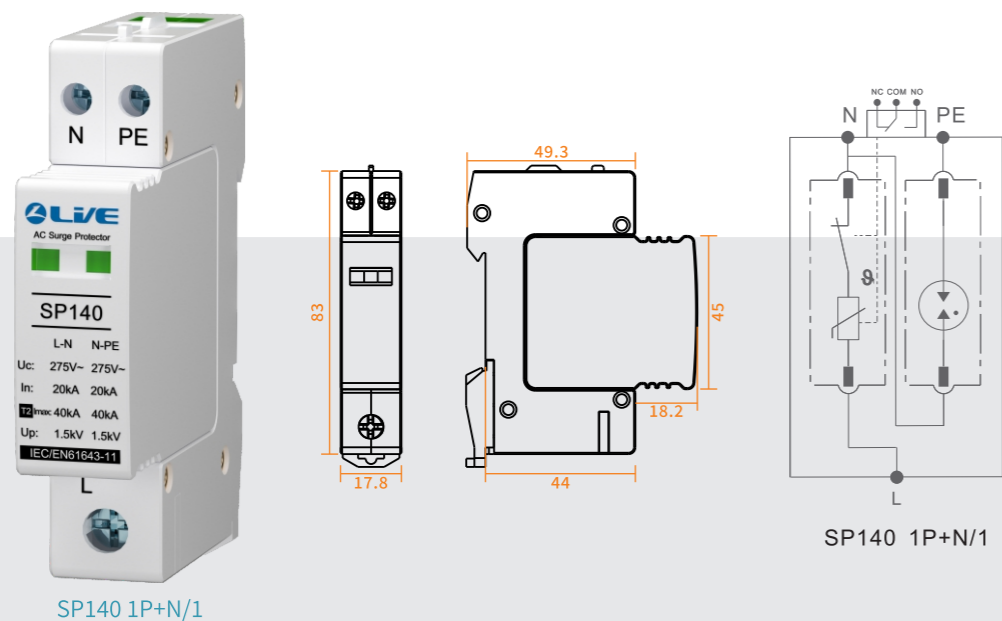


Design Features

SPDs are recommended for installations in accordance with 18th edition wiring regulation to protect sensitive and expensive electrical equipment. This range of SPDs are characterised by an 8/20µs current wave, they can prevent the spread of over voltages in electrical installations and protects equipment connected to it. These surge protector must be replaced if the indicator turns red. They comply with BS EN61643-11.

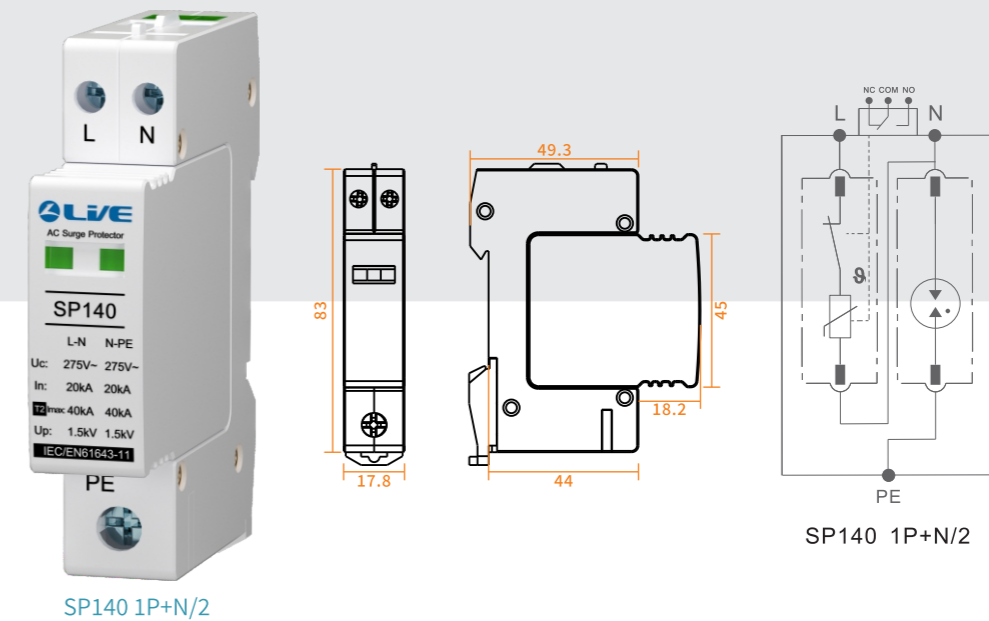
- High discharge capacity, quick response
- Green window will change when device is spent and is fitted with terminals for remote indication
- BSI Standard: BSEN61643-11
- Type Test Class: Type 2
- Uc- Max continuous operating voltage: 275 VAC
- Up- Voltage protection level (L-N), (N-PE): 1.5 kV
- In - Nominal discharge current for class II: 20 kA
- Imax - Maximum discharge current: 40 kA
- Isccr- Short circuit current rating: 25 kA
- Degree of protection: IP20

| Part No | Description |
|--------------|--|
| SP140 1P+N/1 | 1P+N 20kA/40kA Type 2 Surge Protective Device, width 18mm, lower L -Terminal |



Surge Protective Device

Surge Protective Device



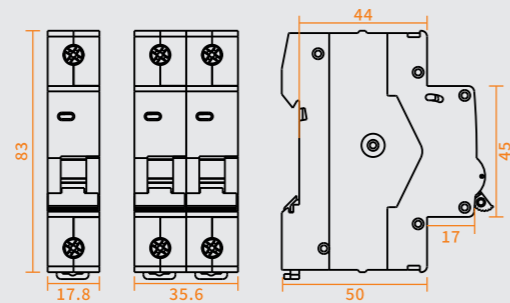
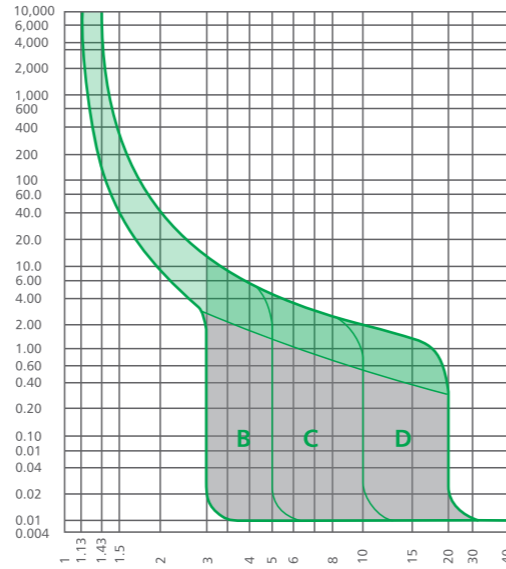
Design Features

- High discharge capacity, quick response
- Green window will change when device is spent and is fitted with terminals for remote indication
- BSI Standard: BSEN61643-11
- Type Test Class: Type 2
- Uc- Max continuous operating voltage: 275 VAC
- Up- Voltage protection level (L-N), (N-PE): 1.5 kV
- In - Nominal discharge current for class II: 20 kA
- Imax - Maximum discharge current: 40 kA
- Isccr- Short circuit current rating: 25 kA
- Degree of protection: IP20

| Part No | Description |
|--------------|--|
| SP140 1P+N/2 | 1P+N 20kA/40kA Type 2 Surge Protective Device, width 18mm, upper L -Terminal |

Technical Data

- Rated current I_n (A) :6,10,16,20,25,32,40,50,63
- Poles: 1P,2P
- Rated voltage U_e (AC): 230/400V
- Rated frequency: 50/60Hz
- Insulation voltage U_i : 500V
- Rated breaking capacity(A): 6KA
- Rated impulse withstand voltage(1.2/50) U_{imp} (V): 4000
- Dielectric test voltage at ind. Frq for 1 min (KV) : 2
- Ambient temperature(with daily average $\leq 35^\circ\text{C}$: -5~+40)
- Thermo-magnetic release characteristic: B,C,D
- Electrical life: 8,000
- Contact position degree: IP20
- Storage temperature($^\circ\text{C}$): -25~+70)
- Reference temperature for setting of thermal element ($^\circ\text{C}$): 30



Miniature Circuit Breakers

1P 6KA Miniature Circuit Breakers

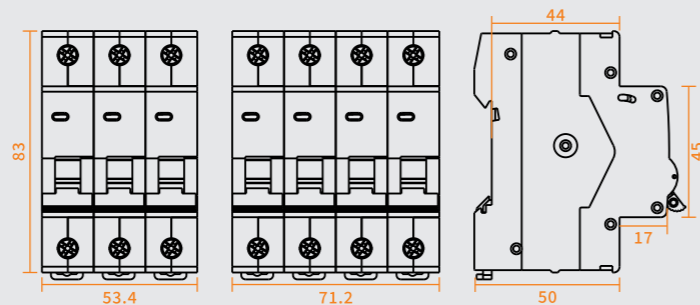
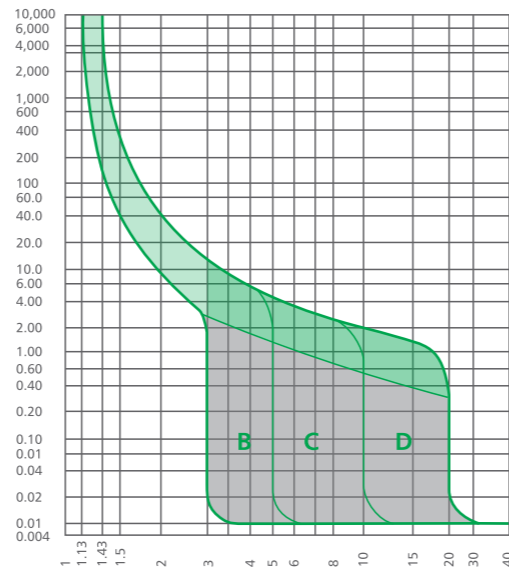
| Part No | Description |
|---------|------------------------------|
| CA106B | 1Pole 6Amps B Curve 6kA MCB |
| CA110B | 1Pole 10Amps B Curve 6kA MCB |
| CA116B | 1Pole 16Amps B Curve 6kA MCB |
| CA120B | 1Pole 20Amps B Curve 6kA MCB |
| CA132B | 1Pole 32Amps B Curve 6kA MCB |
| CA140B | 1Pole 40Amps B Curve 6kA MCB |
| CA150B | 1Pole 50Amps B Curve 6kA MCB |
| CA163B | 1Pole 63Amps B Curve 6kA MCB |
| CA106C | 1Pole 6Amps C Curve 6kA MCB |
| CA110C | 1Pole 10Amps C Curve 6kA MCB |
| CA116C | 1Pole 16Amps C Curve 6kA MCB |
| CA120C | 1Pole 20Amps C Curve 6kA MCB |
| CA132C | 1Pole 32Amps C Curve 6kA MCB |
| CA140C | 1Pole 40Amps C Curve 6kA MCB |
| CA150C | 1Pole 50Amps C Curve 6kA MCB |
| CA163C | 1Pole 63Amps C Curve 6kA MCB |
| CA106D | 1Pole 6Amps D Curve 6kA MCB |
| CA110D | 1Pole 10Amps D Curve 6kA MCB |
| CA116D | 1Pole 16Amps D Curve 6kA MCB |
| CA120D | 1Pole 20Amps D Curve 6kA MCB |
| CA132D | 1Pole 32Amps D Curve 6kA MCB |
| CA140D | 1Pole 40Amps D Curve 6kA MCB |
| CA150D | 1Pole 50Amps D Curve 6kA MCB |
| CA163D | 1Pole 63Amps D Curve 6kA MCB |

2P 6KA Miniature Circuit Breakers

| Part No | Description |
|---------|------------------------------|
| CA206B | 2Pole 6Amps B Curve 6kA MCB |
| CA210B | 2Pole 10Amps B Curve 6kA MCB |
| CA216B | 2Pole 16Amps B Curve 6kA MCB |
| CA220B | 2Pole 20Amps B Curve 6kA MCB |
| CA232B | 2Pole 32Amps B Curve 6kA MCB |
| CA240B | 2Pole 40Amps B Curve 6kA MCB |
| CA250B | 2Pole 50Amps B Curve 6kA MCB |
| CA263B | 2Pole 63Amps B Curve 6kA MCB |
| CA206C | 2Pole 6Amps C Curve 6kA MCB |
| CA210C | 2Pole 10Amps C Curve 6kA MCB |
| CA216C | 2Pole 16Amps C Curve 6kA MCB |
| CA220C | 2Pole 20Amps C Curve 6kA MCB |
| CA232C | 2Pole 32Amps C Curve 6kA MCB |
| CA240C | 2Pole 40Amps C Curve 6kA MCB |
| CA250C | 2Pole 50Amps C Curve 6kA MCB |
| CA263C | 2Pole 63Amps C Curve 6kA MCB |
| CA206D | 2Pole 6Amps D Curve 6kA MCB |
| CA210D | 2Pole 10Amps D Curve 6kA MCB |
| CA216D | 2Pole 16Amps D Curve 6kA MCB |
| CA220D | 2Pole 20Amps D Curve 6kA MCB |
| CA232D | 2Pole 32Amps D Curve 6kA MCB |
| CA240D | 2Pole 40Amps D Curve 6kA MCB |
| CA250D | 2Pole 50Amps D Curve 6kA MCB |
| CA263D | 2Pole 63Amps D Curve 6kA MCB |

Technical Data

- Rated current I_n (A) :6,10,16,20,25,32,40,50,63
- Poles: 3P,4P
- Rated voltage $U_e(AC)$: 230/400V
- Rated frequency: 50/60Hz
- Insulation voltage U_i : 500V
- Rated breaking capacity(A): 6KA
- Rated impulse withstand voltage(1.2/50) U_{imp} (V): 4000
- Dielectric test voltage at ind. Frq for 1 min (KV) : 2
- Ambient temperature(with daily average $\leq 35^\circ C$: $-5\sim+40$)
- Thermo-magnetic release characteristic: B,C,D
- Electrical life: 8,000
- Contact position degree: IP20
- Storage temperature ($^\circ C$): $-25\sim+70$)
- Reference temperature for setting of thermal element ($^\circ C$):30



Miniature Circuit Breakers

3P 6KA Miniature Circuit Breakers

| Part No | Description |
|---------|------------------------------|
| CA306B | 3Pole 6Amps B Curve 6kA MCB |
| CA310B | 3Pole 10Amps B Curve 6kA MCB |
| CA316B | 3Pole 16Amps B Curve 6kA MCB |
| CA320B | 3Pole 20Amps B Curve 6kA MCB |
| CA332B | 3Pole 32Amps B Curve 6kA MCB |
| CA340B | 3Pole 40Amps B Curve 6kA MCB |
| CA350B | 3Pole 50Amps B Curve 6kA MCB |
| CA363B | 3Pole 63Amps B Curve 6kA MCB |
| CA306C | 3Pole 6Amps C Curve 6kA MCB |
| CA310C | 3Pole 10Amps C Curve 6kA MCB |
| CA316C | 3Pole 16Amps C Curve 6kA MCB |
| CA320C | 3Pole 20Amps C Curve 6kA MCB |
| CA332C | 3Pole 32Amps C Curve 6kA MCB |
| CA340C | 3Pole 40Amps C Curve 6kA MCB |
| CA350C | 3Pole 50Amps C Curve 6kA MCB |
| CA363C | 3Pole 63Amps C Curve 6kA MCB |
| CA306D | 3Pole 6Amps D Curve 6kA MCB |
| CA310D | 3Pole 10Amps D Curve 6kA MCB |
| CA316D | 3Pole 16Amps D Curve 6kA MCB |
| CA320D | 3Pole 20Amps D Curve 6kA MCB |
| CA332D | 3Pole 32Amps D Curve 6kA MCB |
| CA340D | 3Pole 40Amps D Curve 6kA MCB |
| CA350D | 3Pole 50Amps D Curve 6kA MCB |
| CA363D | 3Pole 63Amps D Curve 6kA MCB |

4P 6KA Miniature Circuit Breakers

| Part No | Description |
|---------|------------------------------|
| CA406B | 4Pole 6Amps B Curve 6kA MCB |
| CA410B | 4Pole 10Amps B Curve 6kA MCB |
| CA416B | 4Pole 16Amps B Curve 6kA MCB |
| CA420B | 4Pole 20Amps B Curve 6kA MCB |
| CA432B | 4Pole 32Amps B Curve 6kA MCB |
| CA440B | 4Pole 40Amps B Curve 6kA MCB |
| CA450B | 4Pole 50Amps B Curve 6kA MCB |
| CA463B | 4Pole 63Amps B Curve 6kA MCB |
| CA406C | 4Pole 6Amps C Curve 6kA MCB |
| CA410C | 4Pole 10Amps C Curve 6kA MCB |
| CA416C | 4Pole 16Amps C Curve 6kA MCB |
| CA420C | 4Pole 20Amps C Curve 6kA MCB |
| CA432C | 4Pole 32Amps C Curve 6kA MCB |
| CA440C | 4Pole 40Amps C Curve 6kA MCB |
| CA450C | 4Pole 50Amps C Curve 6kA MCB |
| CA463C | 4Pole 63Amps C Curve 6kA MCB |
| CA406D | 4Pole 6Amps D Curve 6kA MCB |
| CA410D | 4Pole 10Amps D Curve 6kA MCB |
| CA416D | 4Pole 16Amps D Curve 6kA MCB |
| CA420D | 4Pole 20Amps D Curve 6kA MCB |
| CA432D | 4Pole 32Amps D Curve 6kA MCB |
| CA440D | 4Pole 40Amps D Curve 6kA MCB |
| CA450D | 4Pole 50Amps D Curve 6kA MCB |
| CA463D | 4Pole 63Amps D Curve 6kA MCB |

Design Features

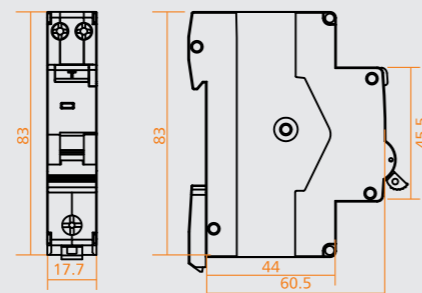
AMR is a range of MCB sized RCBOs, apply to circuit of AC50/60Hz. Rated voltage to 230V, and current up to 40 A, bring higher levels of safety to an electrical installation and its users because they include switched neutral as standard, which will guarantee that healthy circuits remain in service and that only a faulty circuit is switched off.

- Switching and isolation
- Overload and short circuit protection
- Protection against the effects of sinusoidal alternation earth fault currents
- Indirect and direct contacts protection
- Protection against fire hazard caused by insulation faults.

Technical Data

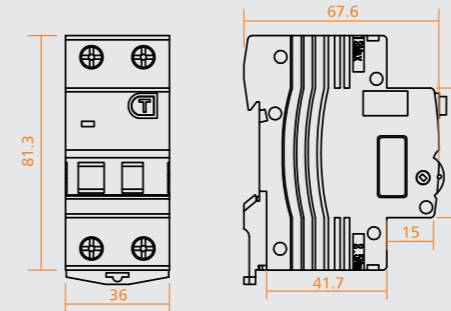
- Rated current (In): 6A, 10A, 16A, 20A, 25A, 32A, 40A
- Rated voltage (Ue): 230V AC
- Breaking capacity (Icn): 6kA
- Rated residual current: 30mA, 100mA
- 1pole
- Tripping characteristic: B,C
- Electrical endurance: 4000 cycles
- Mechanical endurance: 100000 cycles
- Complies with BS EN 61009-1
- Type: A

| Part No | Description |
|-------------|---|
| AMR106B-030 | Type A Single Module 6Amps B Curve 30mA RCBO |
| AMR110B-030 | Type A Single Module 10Amps B Curve 30mA RCBO |
| AMR116B-030 | Type A Single Module 16Amps B Curve 30mA RCBO |
| AMR120B-030 | Type A Single Module 20Amps B Curve 30mA RCBO |
| AMR132B-030 | Type A Single Module 32Amps B Curve 30mA RCBO |
| AMR140B-030 | Type A Single Module 40Amps B Curve 30mA RCBO |



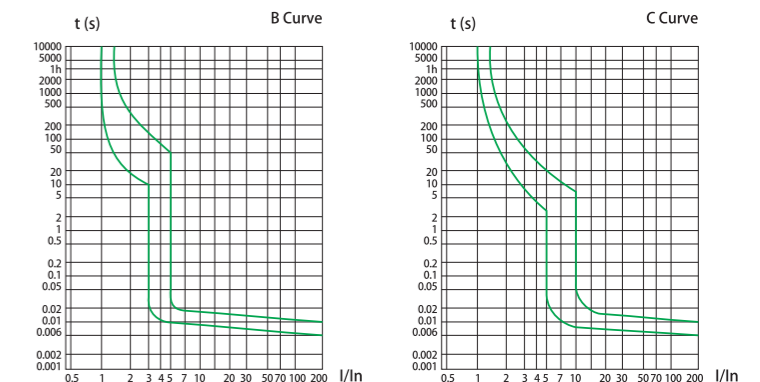
Type A RCBO with Switched Neutral Line

Twin Switch Type A RCBO Double Pole



Technical Data

- Rated current(In): 6A,10A,16A,20A,25A,32A,40A
- Breaking capacity (Icn) 6kA
- Tripping characteristics: B,C
- Mechanical endurance: 10000 cycles
- Rated voltage(Un) 240V AC
- Rated residual current: 30mA
- Electrical endurance: 4000 cycles
- Complies with BS EN 61009-1



| Part No | Description |
|------------|--|
| RNA6B-030 | Type A Double Module 6 Amps B Curve 30mA high immunity RCBO |
| RNA10B-030 | Type A Double Module 10 Amps B Curve 30mA high immunity RCBO |
| RNA16B-030 | Type A Double Module 16 Amps B Curve 30mA high immunity RCBO |
| RNA20B-030 | Type A Double Module 20 Amps B Curve 30mA high immunity RCBO |
| RNA32B-030 | Type A Double Module 32 Amps B Curve 30mA high immunity RCBO |
| RNA40B-030 | Type A Double Module 40 Amps B Curve 30mA high immunity RCBO |
| RNA6C-030 | Type A Double Module 6 Amps C Curve 30mA high immunity RCBO |
| RNA10C-030 | Type A Double Module 10 Amps C Curve 30mA high immunity RCBO |
| RNA16C-030 | Type A Double Module 16 Amps C Curve 30mA high immunity RCBO |
| RNA20C-030 | Type A Double Module 20 Amps C Curve 30mA high immunity RCBO |
| RNA32C-030 | Type A Double Module 32 Amps C Curve 30mA high immunity RCBO |
| RNA40C-030 | Type A Double Module 40 Amps C Curve 30mA high immunity RCBO |

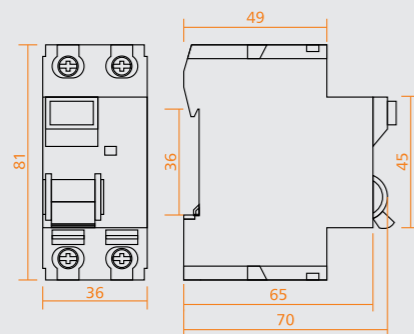
Design Features

LIVE brand Type A RCDS are designed our LSMC range and for individual EV chargers, where the model and make of the vehicle being charged is unknown.

They can detect & respond as for type AC, plus pulsating DC components.

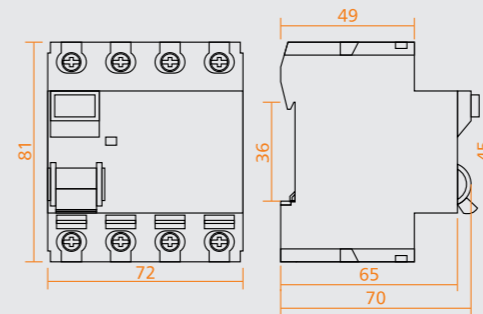
- Pole No.: 2
- Rated current(A): 25 40 63 80 100A
- Rated voltage: 240/415V AC
- Rated frequency: 50/60Hz
- Rated residual operating current I_{Δ} (mA):30,100,300
- Rated residual non operating current: $0.5I_{\Delta}n$
- Rated conditional breaking current Inc: 6000A
- Tripping duration Instantaneous tripping $\leq 0.1s$
- Residual tripping current range: $0.5I_{\Delta}n \sim I_{\Delta}n$
- Electro-mechanical endurance:4000 cycles
- Connection capacity Rigid conductor up to 25mm²
- Connection terminal Screw terminal
- Pillar terminal with clamp
- Fastening torque 2.0 Nm
- Installation: On symmetrical DIN rail 35mm
- Panel mounting

| Part No | Description |
|-------------|--|
| RDA225-030 | 2Pole 25Amps 30mA Type A high immunity RCD |
| RDA240-030 | 2Pole 40Amps 30mA Type A high immunity RCD |
| RDA263-030 | 2Pole 63Amps 30mA Type A high immunity RCD |
| RDA280-030 | 2Pole 80Amps 30mA Type A high immunity RCD |
| RDA2100-030 | 2Pole 100Amps 30mA Type A high immunity RCD |
| RDA225-100 | 2Pole 25Amps 100mA Type A high immunity RCD |
| RDA240-100 | 2Pole 40Amps 100mA Type A high immunity RCD |
| RDA263-100 | 2Pole 63Amps 100mA Type A high immunity RCD |
| RDA280-100 | 2Pole 80Amps 100mA Type A high immunity RCD |
| RDA2100-100 | 2Pole 100Amps 100mA Type A high immunity RCD |
| RDA225-300 | 2Pole 25Amps 300mA Type A high immunity RCD |
| RDA240-300 | 2Pole 40Amps 300mA Type A high immunity RCD |
| RDA263-300 | 2Pole 63Amps 300mA Type A high immunity RCD |
| RDA280-300 | 2Pole 80Amps 300mA Type A high immunity RCD |
| RDA2100-300 | 2Pole 100Amps 300mA Type A high immunity RCD |



Type A Residual Current Devices

4 Pole Type A Residual Current Devices



Design Features

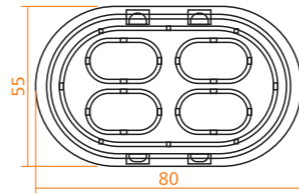
LIVE brand Type A RCDS are designed our TPN 125 range and for individual EV chargers, where the model and make of the vehicle being charged is unknown.

They can detect & respond as for type AC, plus pulsating DC components.

- Pole No.: 4
- Rated current(A): 25 40 63 80 100A
- Rated voltage: 240/415V AC
- Rated frequency: 50/60Hz
- Rated residual operating current I_{Δ} (mA):30,100,300
- Rated residual non operating current: $0.5I_{\Delta}n$
- Rated conditional breaking current Inc: 6000A
- Tripping duration Instantaneous tripping $\leq 0.1s$
- Residual tripping current range: $0.5I_{\Delta}n \sim I_{\Delta}n$
- Electro-mechanical endurance:4000 cycles
- Connection capacity Rigid conductor up to 25mm²
- Connection terminal Screw terminal
- Pillar terminal with clamp
- Fastening torque 2.0 Nm
- Installation: On symmetrical DIN rail 35mm
- Panel mounting

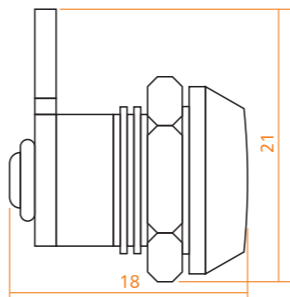
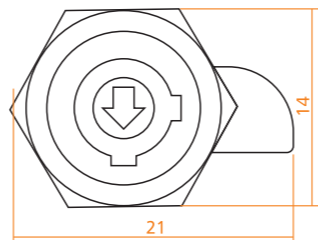
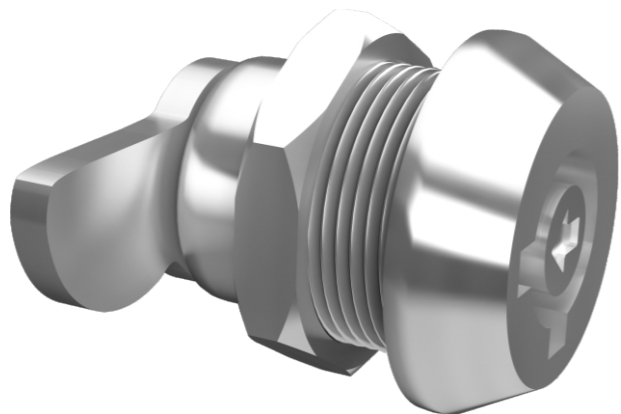
| Part No | Description |
|-------------|---|
| RDA440-030 | 4 Pole 40Amps 30mA Type A high immunity RCD |
| RDA463-030 | 4 Pole 63Amps 30mA Type A high immunity RCD |
| RDA480-030 | 4 Pole 80Amps 30mA Type A high immunity RCD |
| RDA4100-030 | 4 Pole 100Amps 30mA Type A high immunity RCD |
| RDA440-100 | 4 Pole 40Amps 100mA Type A high immunity RCD |
| RDA463-100 | 4 Pole 63Amps 100mA Type A high immunity RCD |
| RDA480-100 | 4 Pole 80Amps 100mA Type A high immunity RCD |
| RDA4100-100 | 4 Pole 100Amps 100mA Type A high immunity RCD |
| RDA440-300 | 4Pole 40Amps 300mA Type A high immunity RCD |
| RDA463-300 | 4Pole 63Amps 300mA Type A high immunity RCD |
| RDA480-300 | 4Pole 80Amps 300mA Type A high immunity RCD |
| RDA4100-300 | 4Pole 100Amps 300mA Type A high immunity RCD |

Plastic Blanking Cover



Design Features

| Part No | Description |
|----------|----------------------|
| PBC45-70 | 45*70 Blanking Cover |

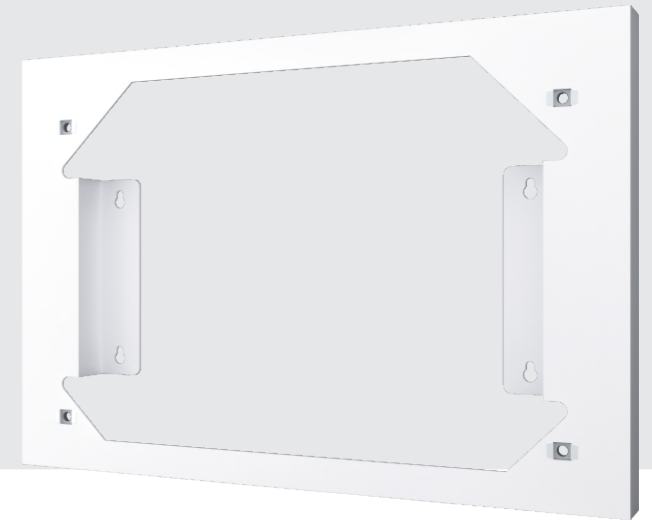


Padlock

Design Features

| Part No | Description |
|---------|-----------------------------|
| PLK | Metal Consumer unit Padlock |

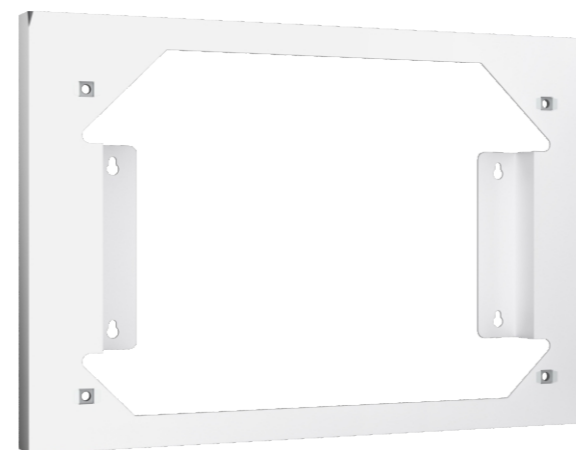
Metal Consumer unit Mounting Bracket



Design Features

- Mounting bracket suitable for LSMC series metal consumer unit

| Part No | Description |
|---------|--|
| LS-MB04 | 4 Way Metal Clad Consumer Unit Mounting Bracket |
| LS-MB06 | 6 Way Metal Clad Consumer Unit Mounting Bracket |
| LS-MB08 | 8 Way Metal Clad Consumer Unit Mounting Bracket |
| LS-MB10 | 10 Way Metal Clad Consumer Unit Mounting Bracket |
| LS-MB12 | 12 Way Metal Clad Consumer Unit Mounting Bracket |
| LS-MB14 | 14 Way Metal Clad Consumer Unit Mounting Bracket |
| LS-MB16 | 16 Way Metal Clad Consumer Unit Mounting Bracket |
| LS-MB18 | 18 Way Metal Clad Consumer Unit Mounting Bracket |
| LS-MB22 | 22 Way Metal Clad Consumer Unit Mounting Bracket |
| LS-MB24 | 24 Way Metal Clad Consumer Unit Mounting Bracket |



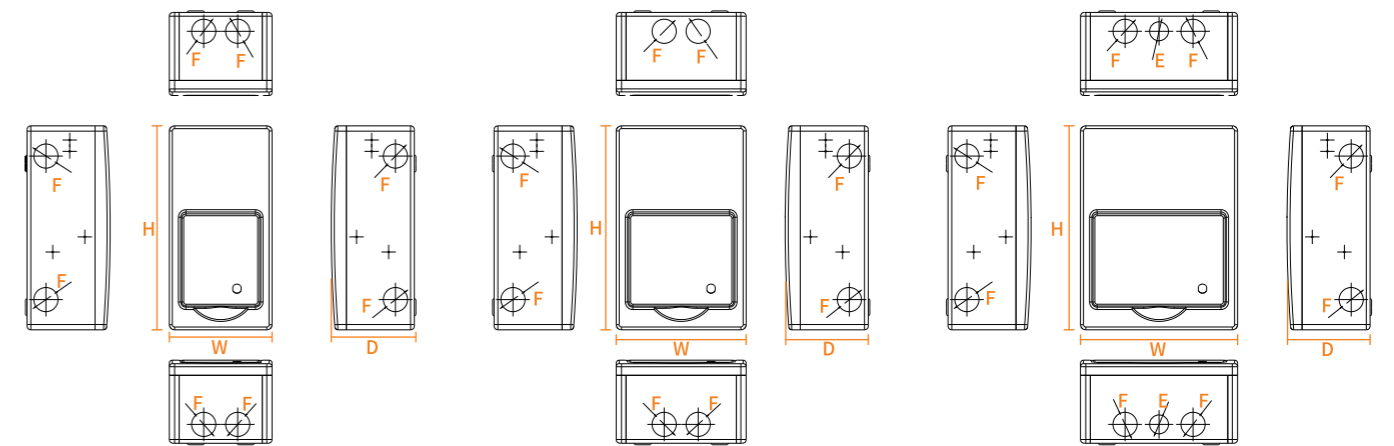
LSMC Dimensional Drawings

Surface Mounted

| Modules | W (mm) | H (mm) | D (mm) | E | | F | | Box Qty |
|------------|--------|--------|--------|----------|-----|----------|-----|---------|
| | | | | Size(mm) | Qty | Size(mm) | Qty | |
| 4 Modules | 136 | 270 | 110 | / | / | Ø32 | 8 | 6 |
| 6 Modules | 172 | 270 | 110 | / | / | Ø32 | 8 | 6 |
| 8 Modules | 208 | 270 | 110 | Ø25 | 2 | Ø32 | 8 | 6 |
| 10 Modules | 244 | 270 | 110 | Ø25 | 4 | Ø32 | 8 | 4 |
| 12 Modules | 280 | 270 | 110 | Ø25 | 6 | Ø32 | 8 | 4 |
| 14 Modules | 316 | 270 | 110 | Ø25 | 8 | Ø32 | 8 | 4 |
| 16 Modules | 352 | 270 | 110 | Ø25 | 8 | Ø32 | 8 | 4 |
| 18 Modules | 388 | 270 | 110 | Ø25 | 10 | Ø32 | 8 | 4 |
| 22 Modules | 460 | 270 | 110 | Ø25 | 14 | Ø32 | 8 | 4 |
| 24 Modules | 496 | 270 | 110 | Ø25 | 16 | Ø32 | 8 | 4 |

LSMC Dimensional Drawings

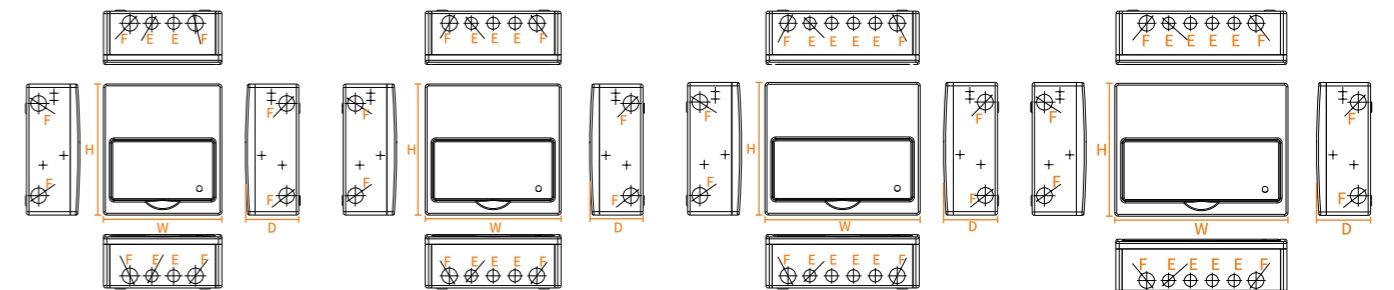
Surface Mounted



4 MODULES

6 MODULES

8 MODULES

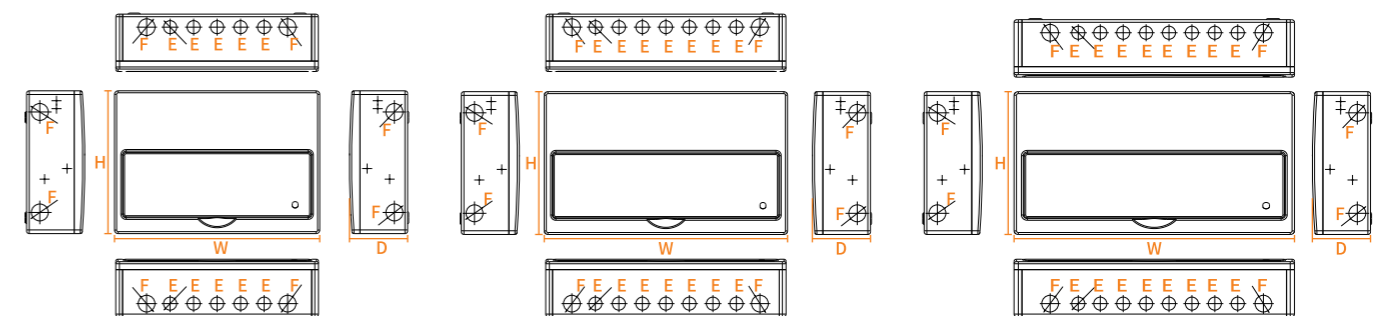


10 MODULES

12 MODULES

14 MODULES

16 MODULES



18 MODULES

22 MODULES

24 MODULES

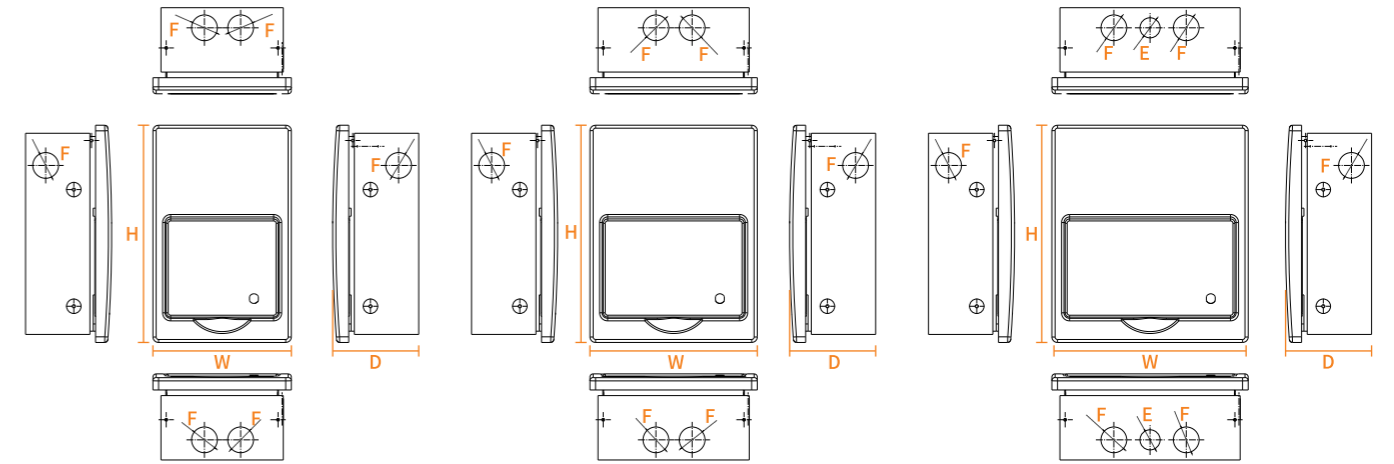
FMC Dimensional Drawings

Flush Mounted

| Modules | W (mm) | H (mm) | D (mm) | E | | F | | Box Qty |
|------------|--------|--------|--------|----------|-----|----------|-----|---------|
| | | | | Size(mm) | Qty | Size(mm) | Qty | |
| 4 Modules | 172 | 270 | 107 | / | / | Ø32 | 6 | 6 |
| 6 Modules | 208 | 270 | 107 | / | / | Ø32 | 6 | 6 |
| 8 Modules | 244 | 270 | 107 | Ø25 | 2 | Ø32 | 6 | 4 |
| 10 Modules | 280 | 270 | 107 | Ø25 | 4 | Ø32 | 6 | 4 |
| 12 Modules | 316 | 270 | 107 | Ø25 | 6 | Ø32 | 6 | 4 |
| 14 Modules | 352 | 270 | 107 | Ø25 | 8 | Ø32 | 6 | 4 |
| 16 Modules | 388 | 270 | 107 | Ø25 | 10 | Ø32 | 6 | 4 |
| 20 Modules | 460 | 270 | 107 | Ø25 | 12 | Ø32 | 6 | 4 |

FMC Dimensional Drawings

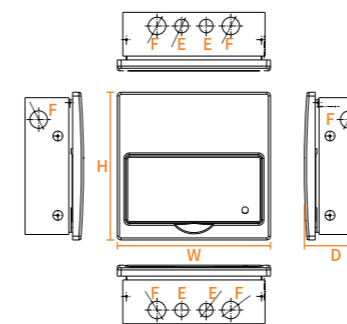
Flush Mounted



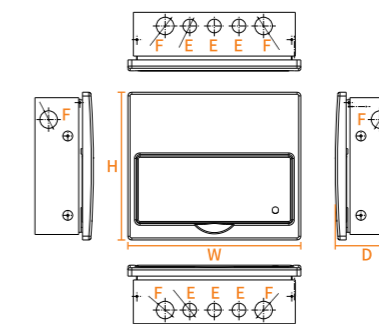
4 MODULES

6 MODULES

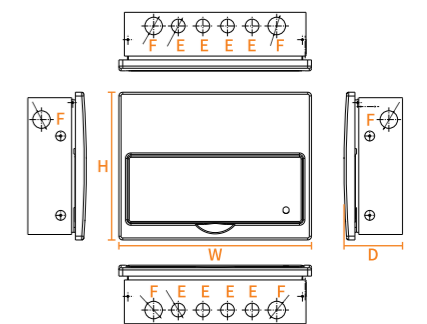
8 MODULES



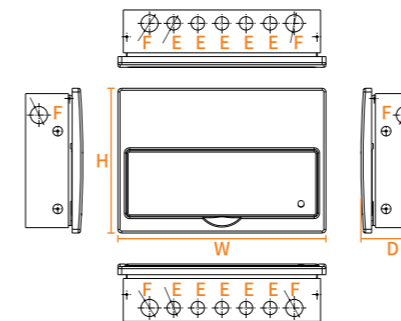
10 MODULES



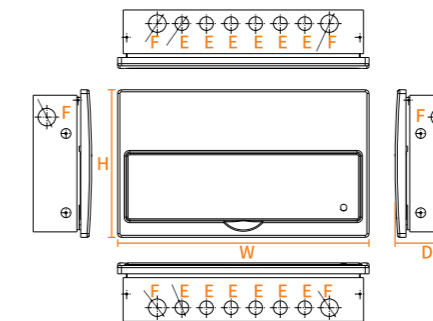
12 MODULES



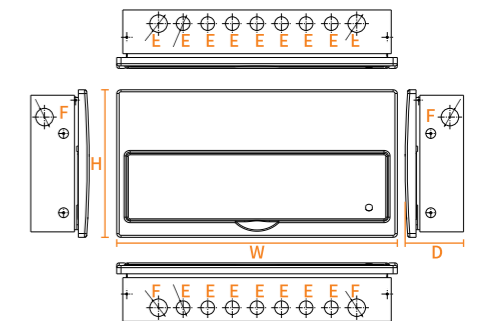
14 MODULES



16 MODULES



20 MODULES



22 MODULES

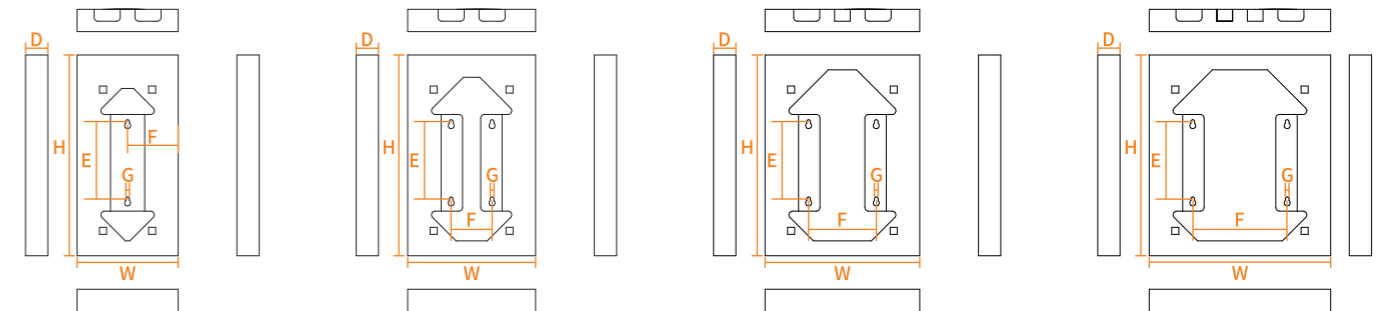
Metal Consumer unit Mounting Bracket

Surface Mounted

| Modules | W (mm) | H (mm) | D (mm) | E (mm) | F (mm) | G (mm) | Box Qty |
|---------|--------|--------|--------|--------|--------|--------|---------|
| LS-MB04 | 136 | 270 | 30 | 104 | 68 | 5 | |
| LS-MB06 | 172 | 270 | 30 | 104 | 55 | 5 | |
| LS-MB08 | 208 | 270 | 30 | 104 | 91 | 5 | |
| LS-MB10 | 244 | 270 | 30 | 104 | 127 | 5 | |
| LS-MB12 | 280 | 270 | 30 | 104 | 163 | 5 | |
| LS-MB14 | 316 | 270 | 30 | 104 | 199 | 5 | |
| LS-MB16 | 352 | 270 | 30 | 104 | 235 | 5 | |
| LS-MB18 | 388 | 270 | 30 | 104 | 271 | 5 | |
| LS-MB22 | 460 | 270 | 30 | 104 | 343 | 5 | |
| LS-MB24 | 496 | 270 | 30 | 104 | 379 | 5 | |

Metal Consumer unit Mounting Bracket

Surface Mounted

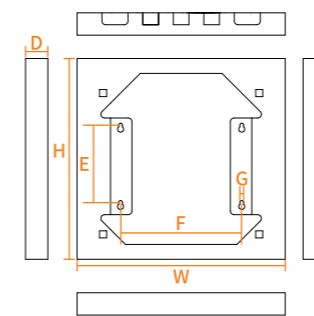


4 MODULES

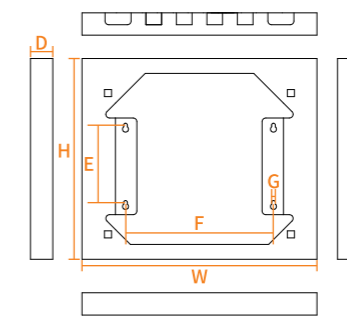
6 MODULES

8 MODULES

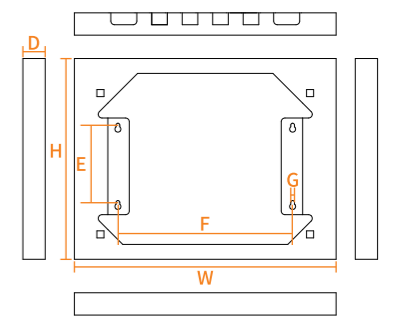
10 MODULES



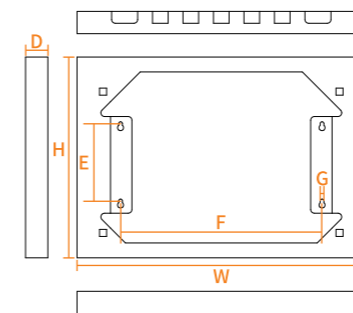
12 MODULES



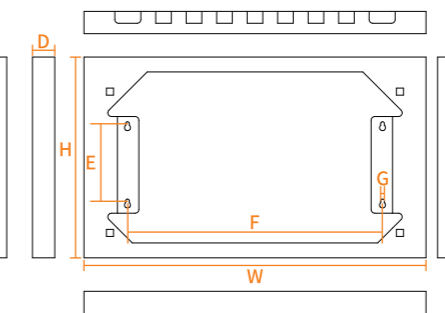
14 MODULES



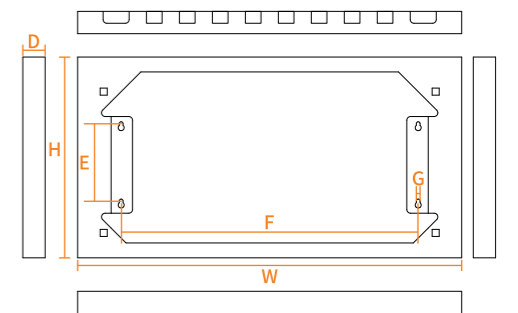
16 MODULES



18 MODULES



22 MODULES



24 MODULES

